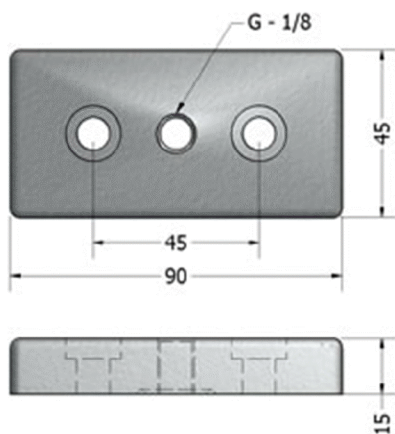




Pneumatic Connection Plate 45 With G-1/8 Thread

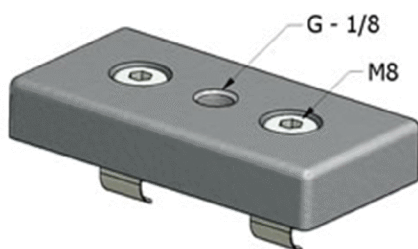
Part. N° 24.1107



APPLICATIONS

- Running compressed air into center chamber of profiles 45x90 & larger

- Can be used with [Quick Coupling G-1/8, Part # 24.1109](#)



TECHN. DATA / ITEMS SUPPLIED



- Cast aluminum plate, powder coated gray

- Qty 1 Rubber o-ring

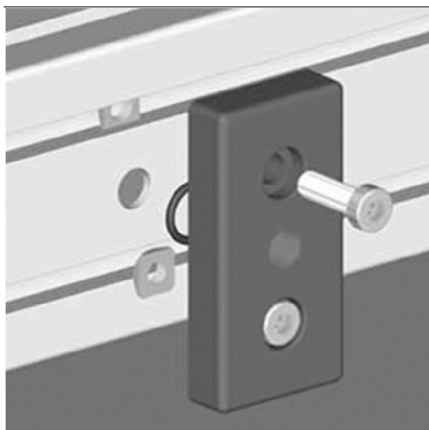
- Qty 2 M8x22 Screws

- Qty 2 M8 Square Nuts With Position Fixing

- Thread G-1/8 BSPP (British standard pipe parallel) 28 threads per inch

-

- Weight - .17 kg



ASSEMBLY

- Drill $\varnothing 12\text{mm}$ hole thru first wall of profile

- Insert supplied square nuts into t-slots

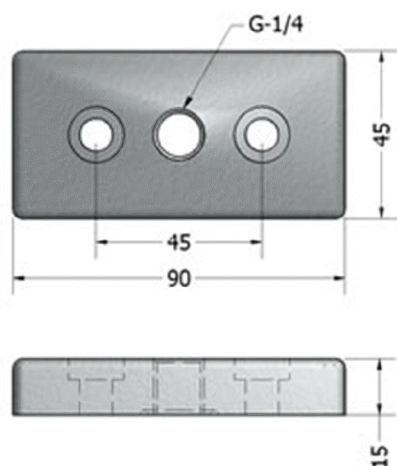
- Press o-ring into retaining groove on aluminum plate

- Tighten M8x22 screws into square nuts



Pneumatic Connection Plate 45 With G-1/4 Thread

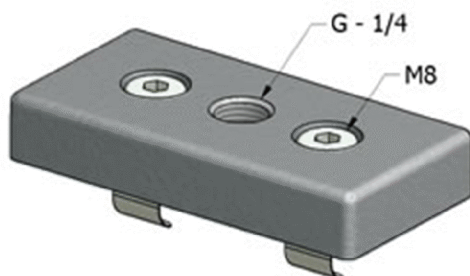
Part. N° 24.1107/2



APPLICATIONS

- Running compressed air into center chamber of profiles 45x90 & larger

- Can be used with [Quick Coupling G-1/4, Part # 24.1110](#)





TECHN. DATA / ITEMS SUPPLIED

- Cast aluminum plate, powder coated gray

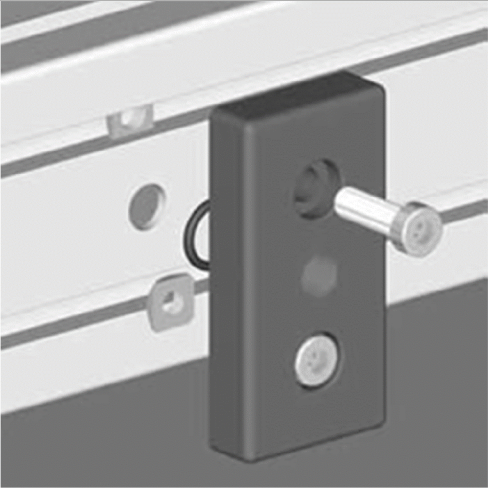
- Qty 1 Rubber o-ring

- Qty 2 M8x22 Screws

- Qty 2 M8 Square Nuts With Position Fixing

- Thread G-1/4 BSPP (British standard pipe parallel) 19 threads per inch

- Weight - .17 kg



ASSEMBLY

- Drill \varnothing 12mm hole thru first wall of profile

- Insert supplied square nuts into t-slots

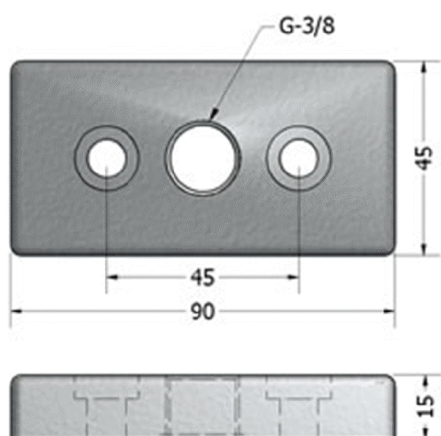
- Press o-ring into retaining groove on aluminum plate

- Tighten M8x22 screws into square nuts



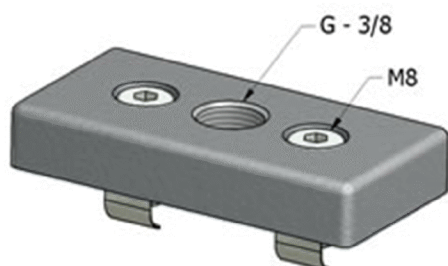
Pneumatic Connection Plate 45 With G-3/8 Thread

Part. N° 24.1107/3



APPLICATIONS

- Running compressed air into center chamber of profiles 45x90 & larger



TECHN. DATA / ITEMS SUPPLIED



- Cast aluminum plate, powder coated gray

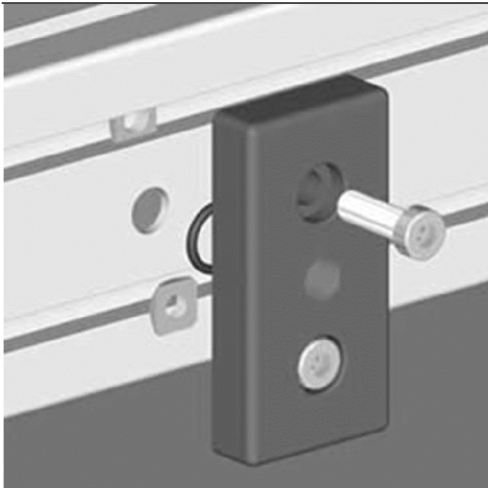
- Qty 1 Rubber o-ring

- Qty 2 M8x22 Screws

- Qty 2 M8 Square Nuts With Position Fixing

- Thread G-3/8 BSPP (British standard pipe parallel) 19 threads per inch

- Weight - .17 kg



ASSEMBLY

- Drill \varnothing 12mm hole thru first wall of profile

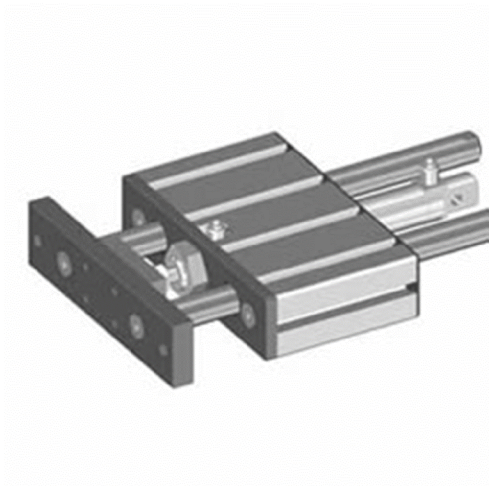
- Insert supplied square nuts into t-slots

- Press o-ring into retaining groove on aluminum plate

- Tighten M8x22 screws into square nuts

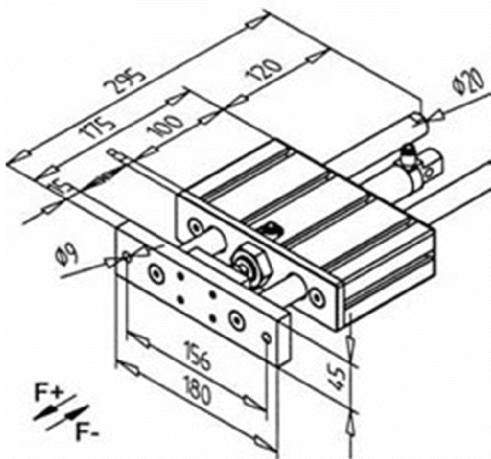
Pneumatic Lifting Unit 100

Part. N° 24.1210



APPLICATIONS

- Lifting & lowering of loads
- Pneumatic positioning of parts



TECHN. DATA / ITEMS SUPPLIED



- Incorporated into profile 45x180

- Overall cylinder size \varnothing 25mm

- Guide shafts \varnothing 20mm

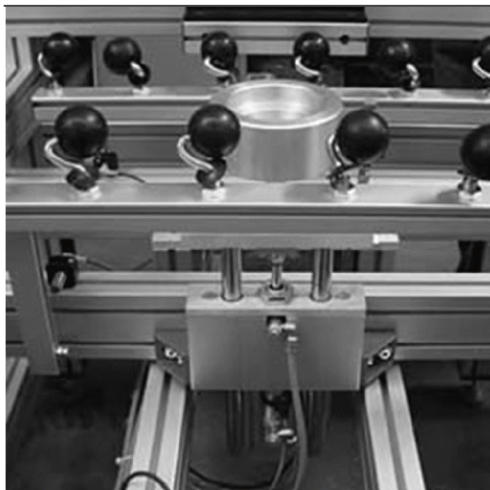
- F+ with 6 bar = 265N

- F- with 6 bar = 220N

- Hub = 100mm

- Completely assembled with double acting cylinder

- Weight - 3.52 kg



ASSEMBLY

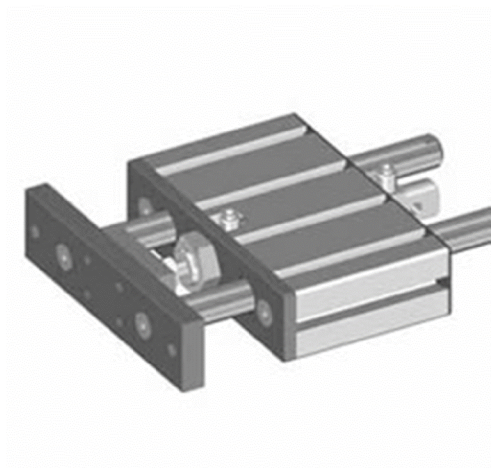
- Housing made from MiniTec profile 45x180G allowing use of standard fastening hardware

- Other strokes available upon request



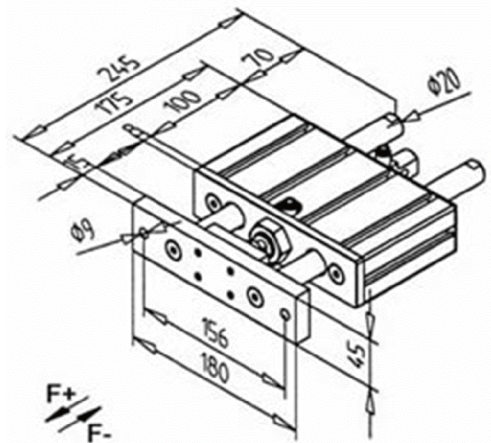
Pneumatic Lifting Unit 50

Part. N° 24.1205



APPLICATIONS

- Lifting & lowering of loads
- Pneumatic positioning of parts



TECHN. DATA / ITEMS SUPPLIED

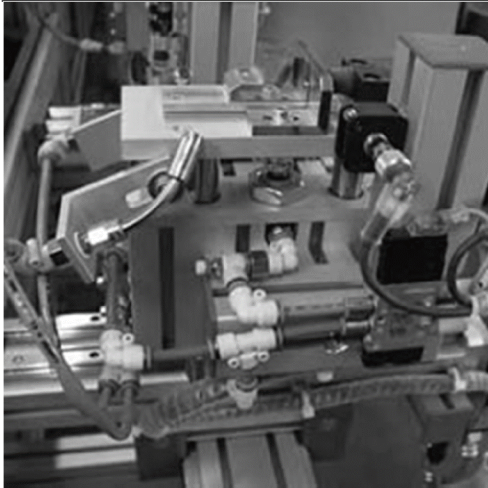
- Incorporated into profile 45x180
- Overall cylinder size \varnothing 25mm
- Guide shafts \varnothing 20mm
- F+ with 6 bar = 265N
- F- with 6 bar = 220N



- Hub = 50mm

- Completely assembled with double acting cylinder

- Weight - 3.45 kg



ASSEMBLY

- Housing made from MiniTec profile 45x180G allowing use of standard fastening hardware

- Other strokes available upon request



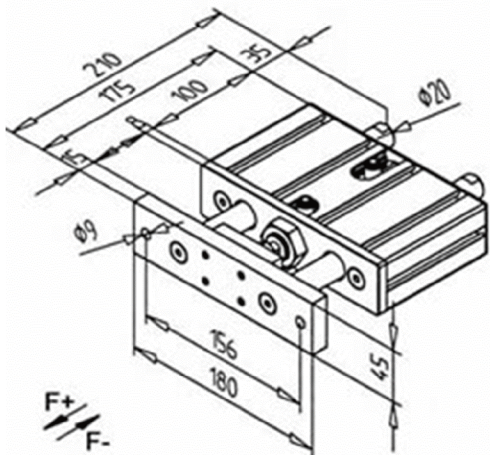
Pneumatic Lifting Unit 15

Part. N° 24.1201



APPLICATIONS

- Lifting & lowering of loads
- Pneumatic positioning of parts



TECHN. DATA / ITEMS SUPPLIED

- Incorporated into profile 45x180
- Overall cylinder size \varnothing 25mm
- Guide shafts \varnothing 20mm
- F+ with 6 bar = 256N
- F- with 6 bar = 220N



- Hub = 15mm
- Completely assembled with double acting cylinder
- Weight - 3.405 kg



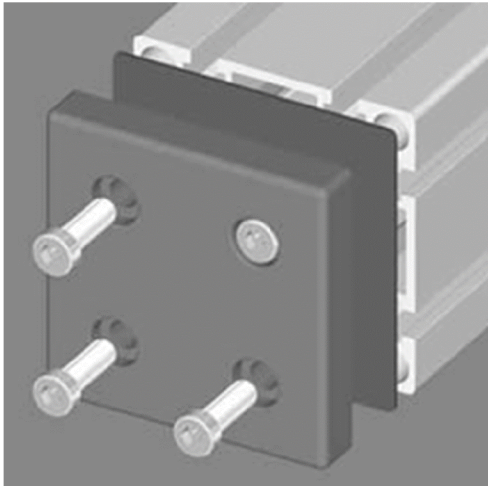
ASSEMBLY

- Housing made from MiniTec profile 45x180G allowing use of standard fastening hardware
- Other strokes available upon request



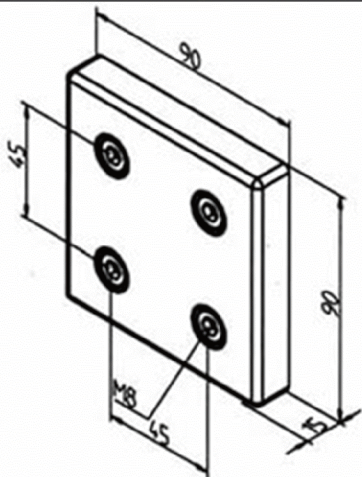
Pneumatic End Plate 90x90

Part. N° 24.1106/7



APPLICATIONS

- Closing end chambers of any 90x90 profile



TECHN. DATA / ITEMS SUPPLIED

- Cast aluminum plate, powder coated gray
- Sealing gasket plate
- Qty 4 M8x25 socket head cap screws
- Weight - .434 kg



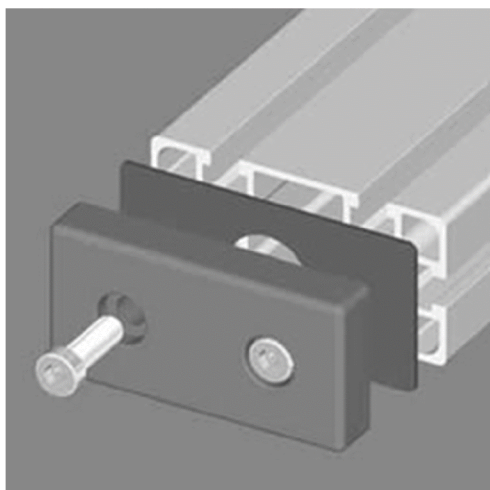
ASSEMBLY

- Thread all four end holes of 90x90 profile using M8 forming tap
- Insert included M8x25 SHCS through aluminum plate & sealing gasket and tighten to profile



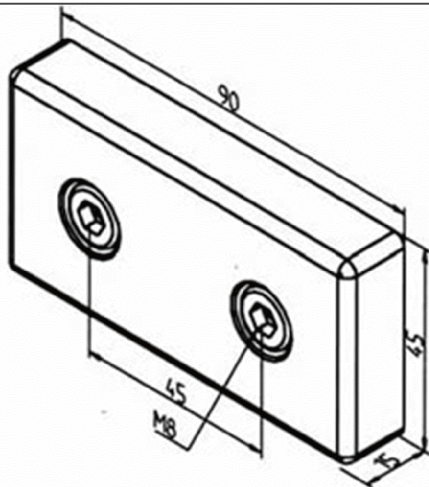
Pneumatic End Plate 45x90

Part. N° 24.1105/7



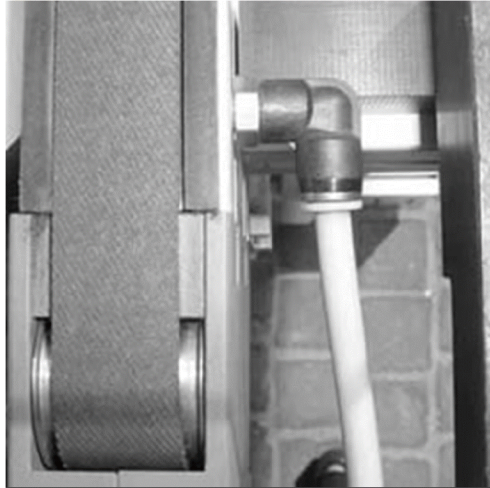
APPLICATIONS

- Closing end chambers of any 45x90 profile



TECHN. DATA / ITEMS SUPPLIED

- Cast aluminum plate, powder coated gray
- Sealing gasket plate
- Qty 2 M8x25 socket head cap screws
- Weight - .181 kg



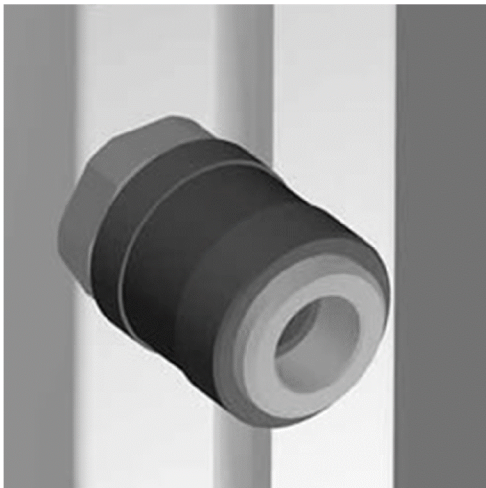
ASSEMBLY

- Thread both end holes of 45x90 profile using M8 forming tap
- Insert included M8x25 SHCS through aluminum plate & sealing gasket and tighten to profile



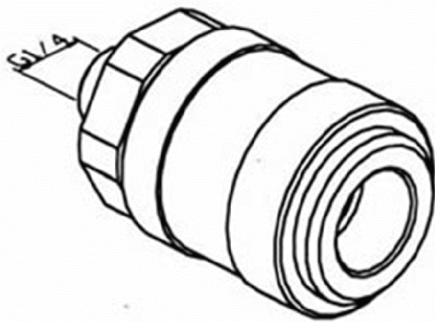
Quick Coupling 1/4

Part. N° 24.1110



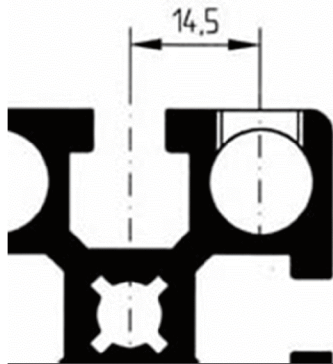
APPLICATIONS

- Connect air into profile sides directly
- Connect air to profile using pneumatic connection plates
24.1105/2, 24.1106/2, 24.1107/2



TECHN. DATA / ITEMS SUPPLIED

- Brass, nickel plated, NW 7
- Thread G-1/4 BSPP (British standard pipe parallel) 19 threads per inch
- Weight - .065 kg

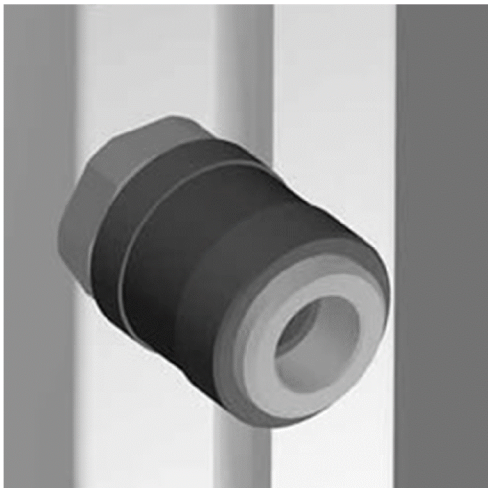


ASSEMBLY

- For connection directly to profile side, drill $\text{Ø}11.7\text{mm}$ hole & thread using G-1/4 BSPP tap
- For connecting to the side of a 90mm face the Pneumatic Connection Plate 45 24.1107/2 may also be used
- Use 24.1105/2 to connect to the end of a 45x90 profile's center cavity
- Use 24.1106/2 to connect to the end of a 90x90 profile's center cavity
- Apply sealing tape to thread & tighten using 22mm wrench
- For connecting to air use a quick disconnect 1/4" industrial-shape hose coupling (see picture)

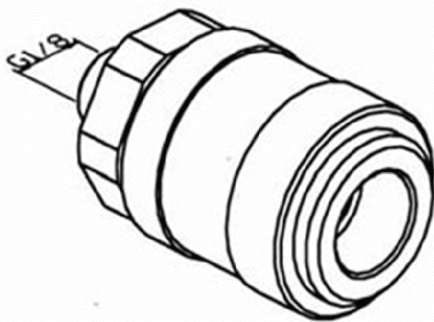
Quick Coupling 1/8

Part. N° 24.1109



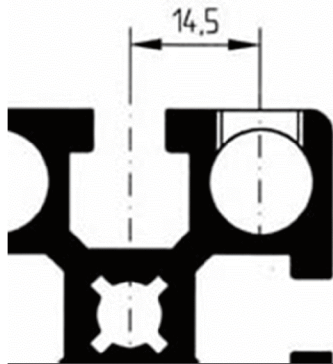
APPLICATIONS

- Connect air directly into profile sides
- Connect air to profile using pneumatic connection plates 24.1105, 24.1106 & 24.1107



TECHN. DATA / ITEMS SUPPLIED

- Brass, nickel plated, NW 7
- Thread G-1/8 BSPP (British standard pipe parallel) 28 threads per inch
- Weight - .064 kg



ASSEMBLY

- For connection directly to profile side, drill $\text{Ø}8.8\text{mm}$ hole & thread using G-1/8 BSPP tap

- For connecting to the side of a 90mm face the Pneumatic Connection Plate 45 24.1107 may also be used

- Use 24.1105 to connect to the end of a 45x90 profile's center cavity

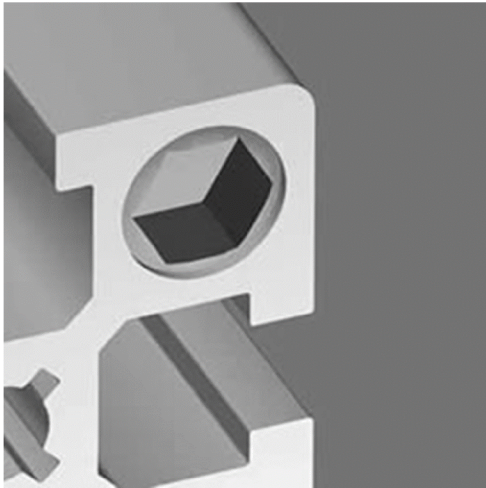
- Use 24.1106 to connect to the end of a 90x90 profile's center cavity

- Apply sealing tape to thread & tighten using 22mm wrench

For connecting to air use a quick disconnect 1/4" industrial-shape hose coupling (see picture)

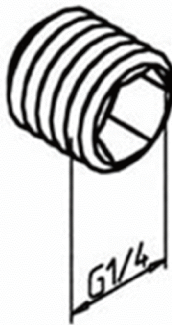
Plug G 1/4

Part. N° 24.1104



APPLICATIONS

- Plug profiles holes $\text{Ø}11.7\text{mm}$
- Use profiles with $\text{Ø}11.7\text{mm}$ to run compressed air without external tubing



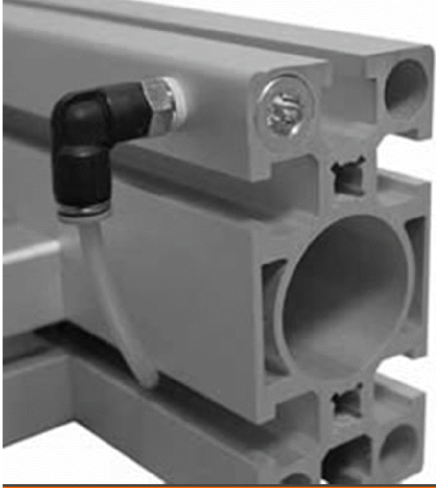
TECHN. DATA / ITEMS SUPPLIED

- Brass plug with G 1/4 pipe thread & hex socket drive
- Thread is BSPT (British standard pipe taper) with 19 threads per inch
- Weight - .006 kg

EL

News

Ελεγκτική
Electrolux
Macedonia
Palenzo



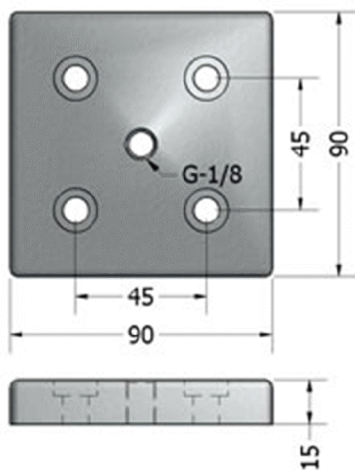
ASSEMBLY

- Holes in end of profile are $\text{\O}11.7\text{mm}$ and the correct size for tap
- Thread profile end with G-1/4 BSPT thread
- Wrap plug with sealing tape & screw in to profile end using 7mm hex key



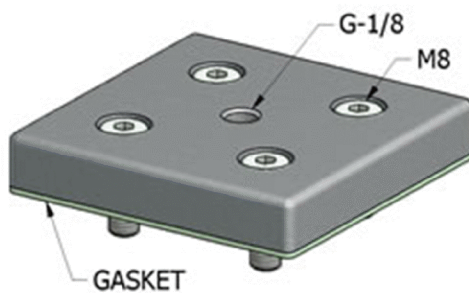
Pneumatic Connection Plate 90 With G-1/8 Thread

Part. N° 24.1106



APPLICATIONS

- Running compressed air into center chamber of the 90x90 L Profile
- Can be used with Quick Coupling G-1/8, Part # 24.1109



TECHN. DATA / ITEMS SUPPLIED

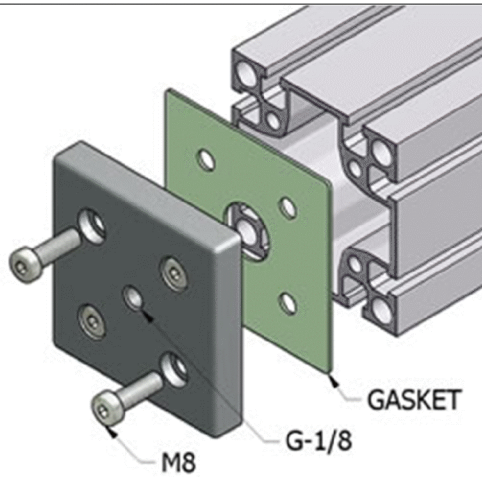
- Cast aluminum plate, powder coated gray
- Qty 1 Gasket 1.5mm thick
- Qty 4 M8x22 Screws
- Thread G-1/8 BSPP (British standard pipe parallel) 28 threads per



inch

- Weight

- .434 kg



ASSEMBLY

- Thread all four holes of 90x90 L profile using M8 forming tap 26.1082

- Insert supplied M8x22 screws thru plate & gasket

- Recommended locking torque 15Nm

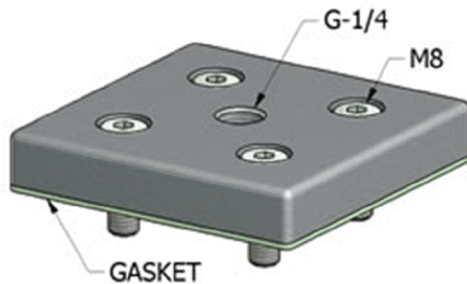


Pneumatic Connection Plate 90 With G-1/4 Thread

Part. N° 24.1106/2

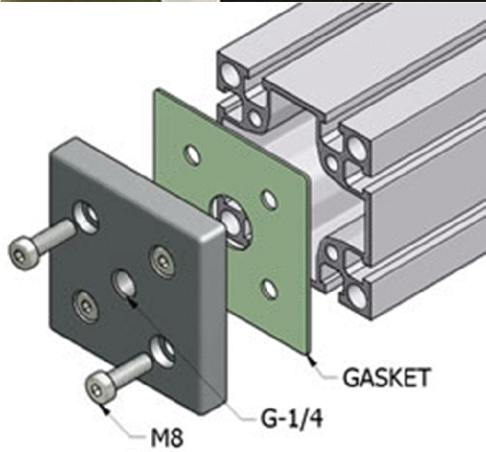
APPLICATIONS

- Running compressed air into center chamber of the 90x90 L Profile
- Can be used with Quick Coupling G-1/8, Part # 24.1110



TECHN. DATA / ITEMS SUPPLIED

- Cast aluminum plate, powder coated gray
- Qty 1 Gasket 1.5mm thick
- Qty 4 M8x22 Screws
- Thread G-1/4 BSPP (British standard pipe parallel) 19 threads per inch
- Weight - .429 kg



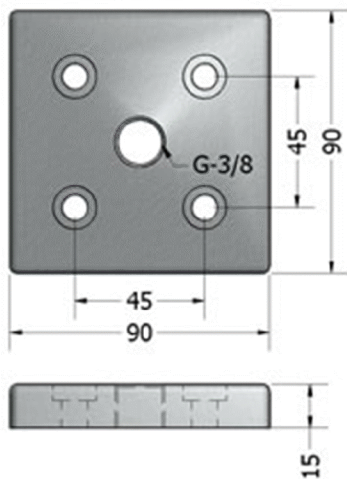
ASSEMBLY

- Thread all four holes of 90x90 L profile using M8 forming tap 26.1082
- Insert supplied M8x22 screws thru plate & gasket
- Recommended locking torque 15Nm



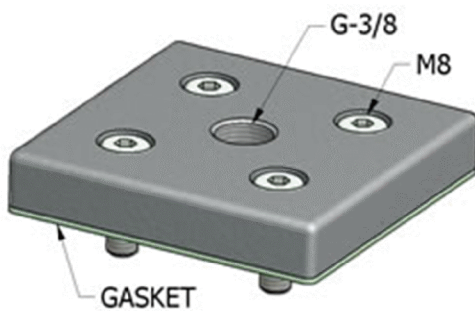
Pneumatic Connection Plate 90 With G-3/8 Thread

Part. N° 24.1106/3



APPLICATIONS

- Running compressed air into center chamber of the 90x90 L Profile

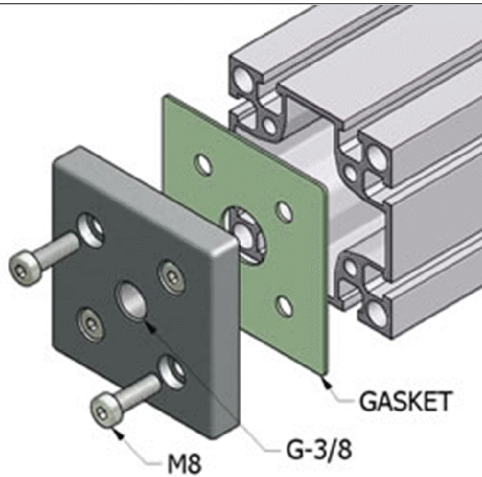


TECHN. DATA / ITEMS SUPPLIED

- Cast aluminum plate, powder coated gray
- Qty 1 Gasket 1.5mm thick
- Qty 4 M8x22 Screws
- Thread G-3/8 BSPP (British standard pipe parallel) 19 threads per inch



- Weight - .421 kg



ASSEMBLY

- Thread all four holes of 90x90 L profile using M8 forming tap 26.1082

- Insert supplied M8x22 screws thru plate & gasket

- Recommended locking torque 15Nm