

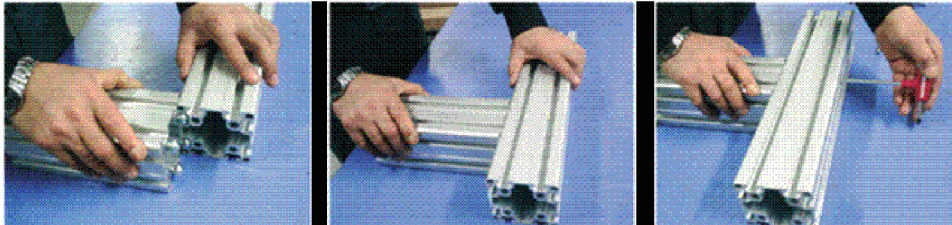
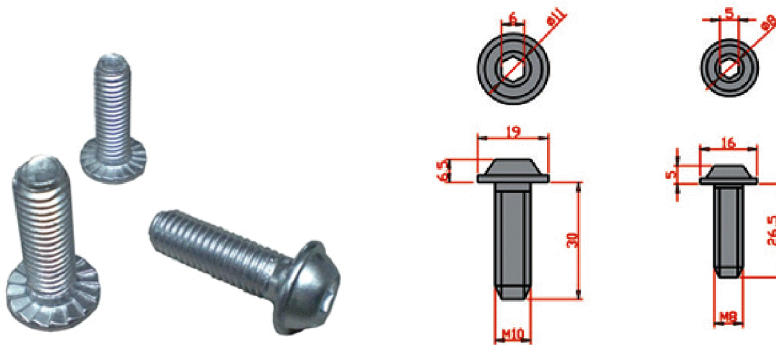
Head Bolt

- Cost effective
- Fast serial mounting due to special form without tapping labor costs
- Can get loose by touching the profiles inner side
- Aesthetics appearance.

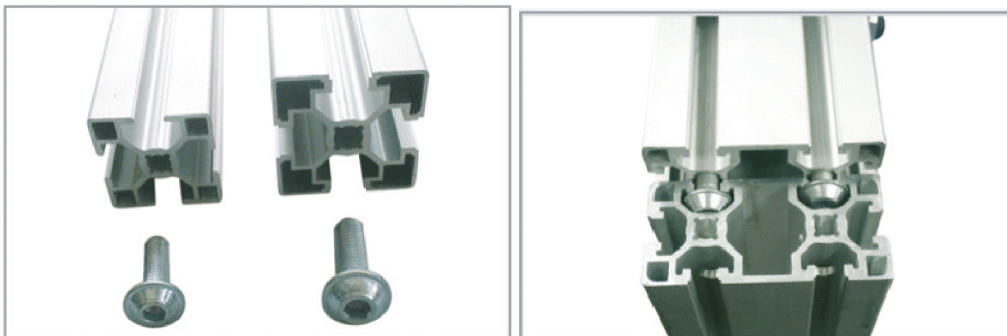
(Code:44) 45x45 Head Bolt M10

(Code:44b) 30x30 Head Bolt M8

(Code:44c) 20-25 Head Bolt M6

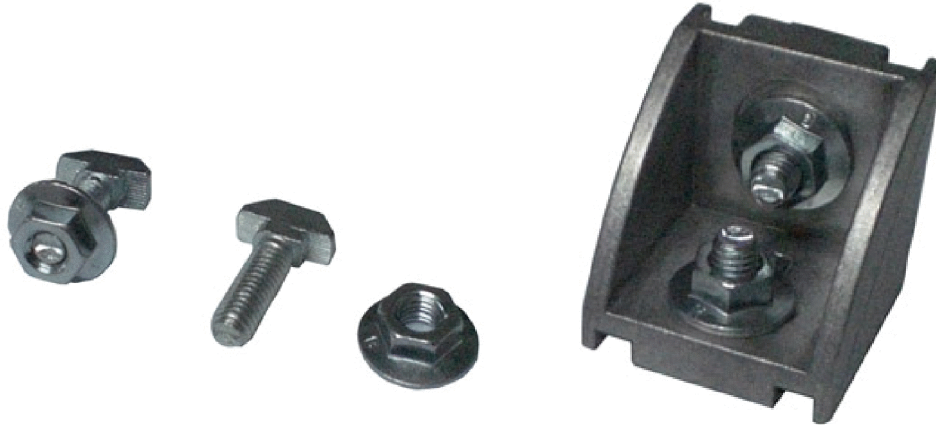


Product Practice





Flange Nuts M8 (Code: 642)





Hammer Screw

- Various size
- Simplify montage process

(Code:40b) Hammer Screw M6x20 Set

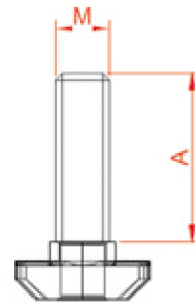
(Code:40c) Hammer Screw M8x25 Set

(Code:40d) Hammer Screw M8x40 Set

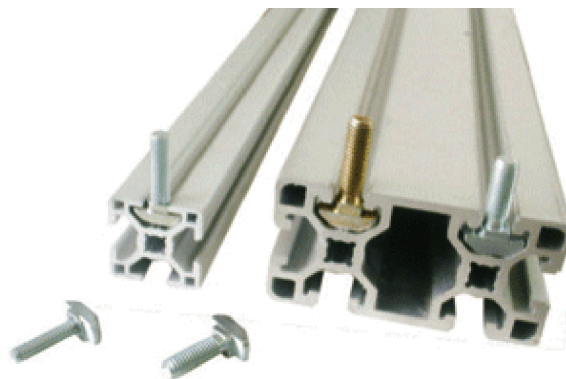
(Code:40f) Hammer Screw M8x60 Set

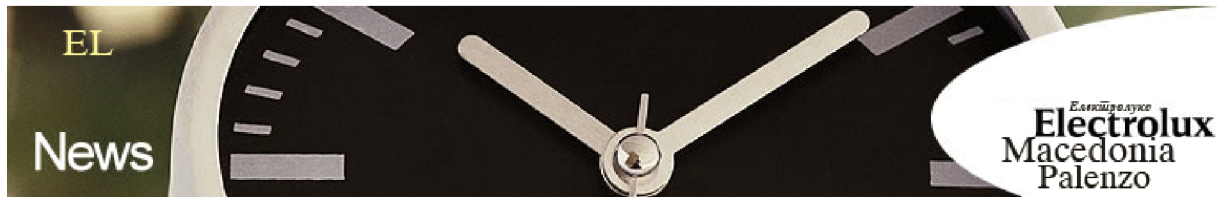


KOD	M	A
040B	6	20
040C	8	25
040D	8	40
040F	8	60



Product Practice





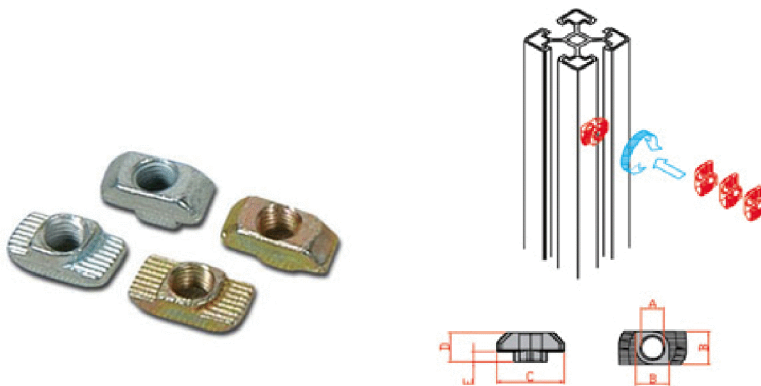
Jagged Nuts

(Code:41) 45X45JaggedNutM8-M6-M5-M4

(Code:42) 30X30 Jagged Nuts M6-M5-M4

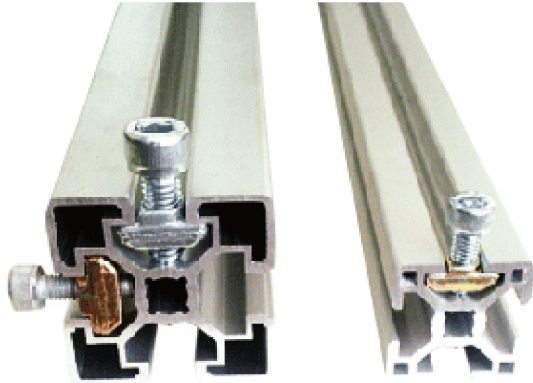
(Code:47a) 20-25 Jagged Nuts M4

- Various size
- Simplify montage process
- Fast serial mounting due to special form
- without tapping labor costs
- Can get loose by touching the profiles inner side
- Aesthetic appearance.



Kod	A	B	C	D	E
42	M6	8	16	6,4	2
42/A	M5	8	16	6,4	2
40	M8	9,6	19	8,2	2,5
40/A	M6	9,6	19	8,2	2,5
41	M8	9,8	19	8,5	2,5
43	M6	9,8	19	8,5	2,5
43/A	M5	9,8	19	8,5	2,5
43/B	M4	9,8	19	8,5	2,5

Product Practice

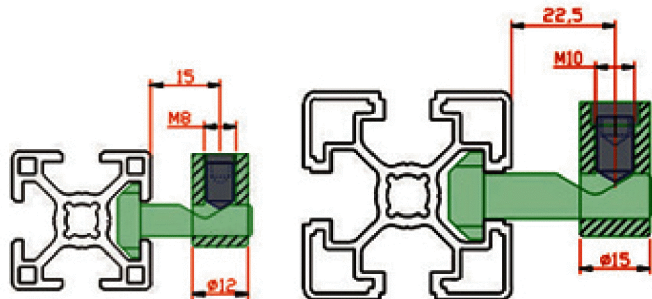


Puller Type

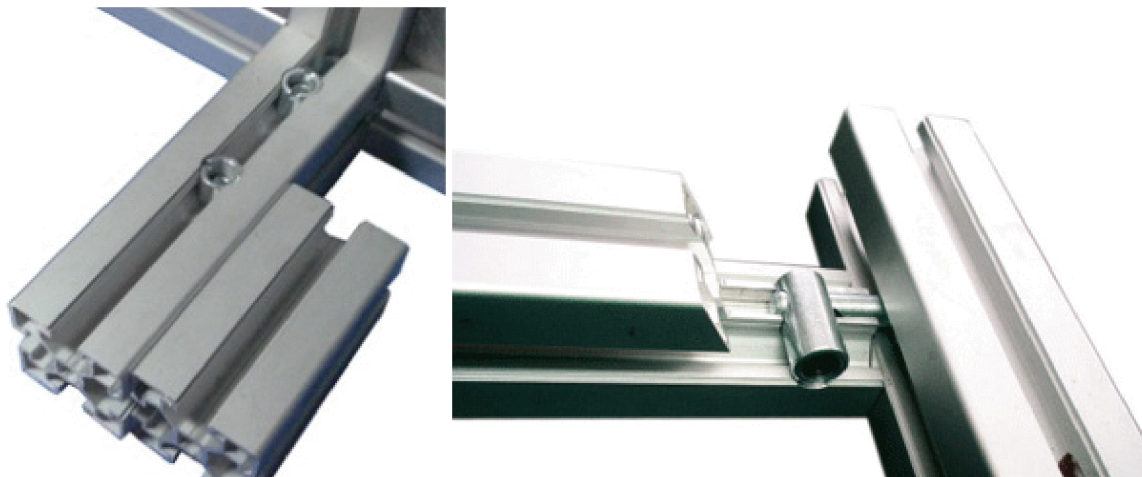
- Substitute for head bolt for interval connections

(Code:85a) 30x30 Puller Type Connection

(Code:85) 45x45 Puller Type Connection

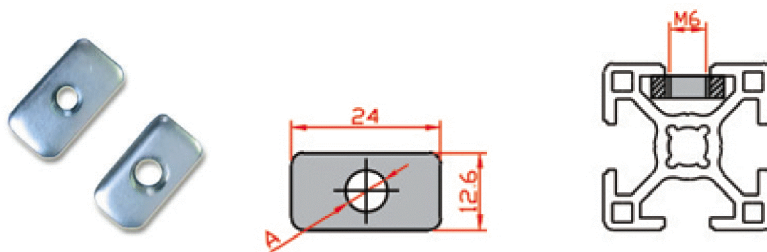


Product Practice



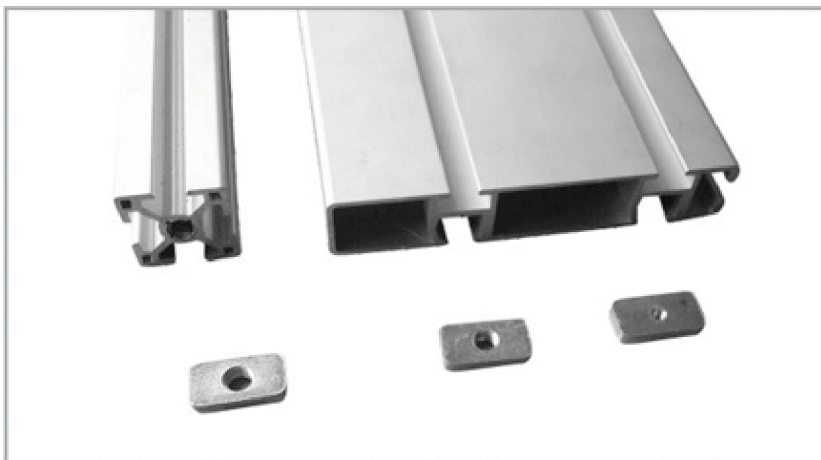
Rectangular Bolts

- It is needful to determine the place that it will be used and it can be connected by assembling to the profile groove at the head
- (Code:48)** Rectangular Nut M8-M6
- (Code:48bc)** Rectangular Nut M5-M4



Kod	A
48	M8
48/A	M6
48/B	M5
48/C	M4

Product Practice



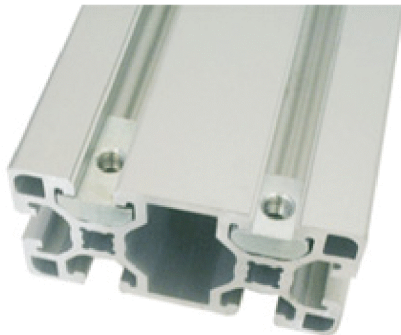


Special Nuts (Code:102)

- It allow strong connections in profile applications.
- Preferred where it is necessary to raise clamping strenght



Product Practice





Spring Slot Nuts

- Substitute for spring channel nuts to getting loose by touching inside the profile

(Code:45) 45x45SpringSlotNutM8-M6

(Code:45a) 30x30 Spring Slot Nut M5-M



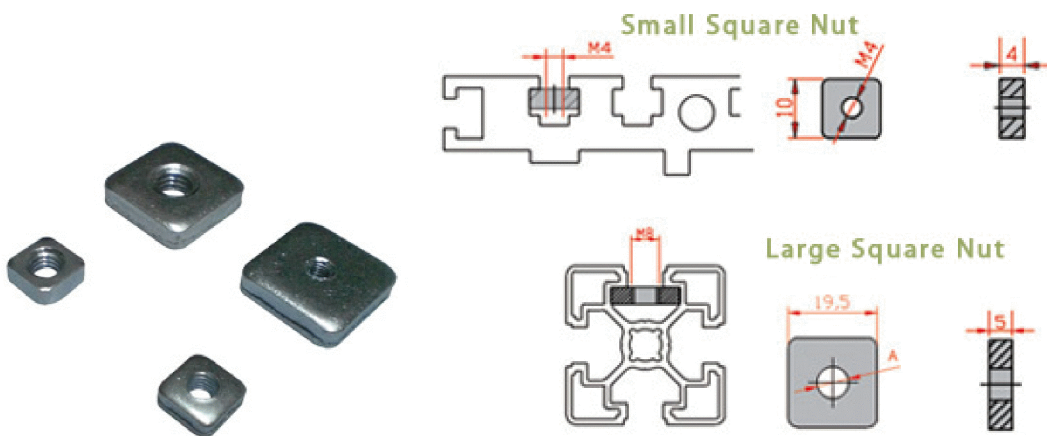
Square Nuts

- Preferred at profiles having 10 mm. channel
- Preferred as an alternative of jugged nut applications

(Code:46a) Large Square Nut M8-M6

(Code:46bc) Large Square Nut M5-M4

(Code:47b) Small Square Nut M5-M6

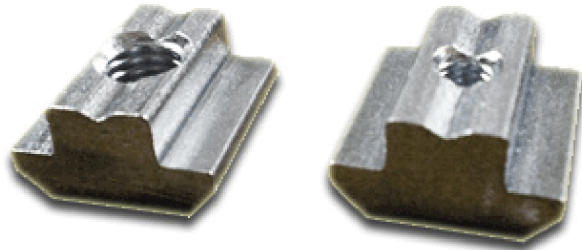


Kod	A
46	M8
46/A	M6
46/B	M5
46/C	M4



T Nuts (Code:102)

- When strong connections of sigma profiles required.
 - The large sitting surface and squeezing force enable strong and safe connection.
-





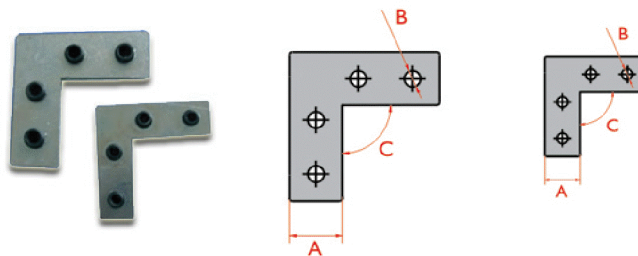
90 Graded Connection Part

(Code:34) 30X30 90 Graded Connection Part

(Code:35) 30X30 120 Graded Connection Part

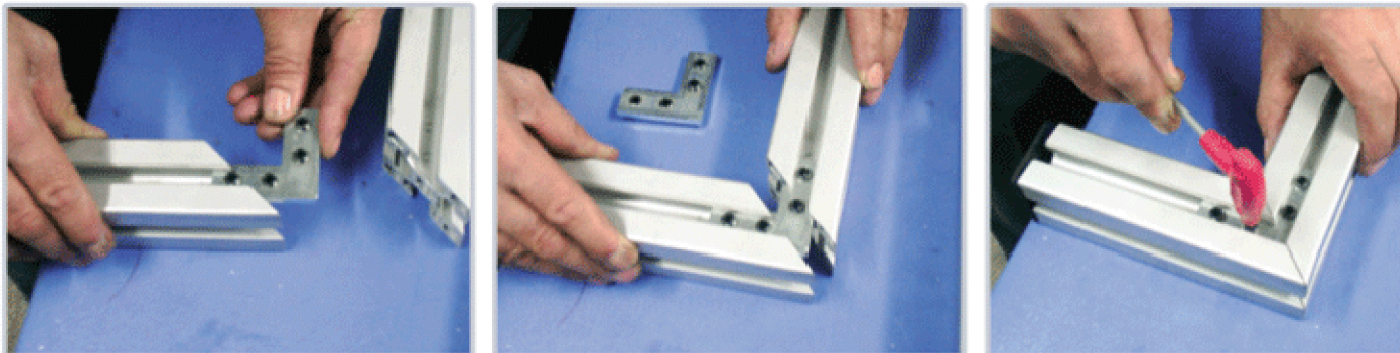
(Code:35a) 30X30 135 Graded Connection Part

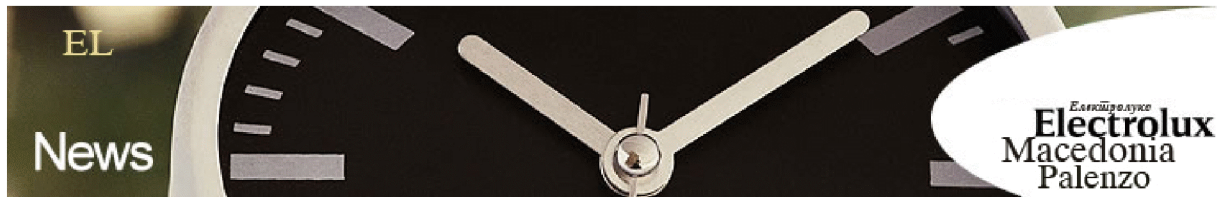
- Graded connection parts can be connected to the channel by centering fastly and easily.
- The connection is establishes without mounting the protection covers to the profile opening for the other connections
- It connects the profiles by mounting to the channels whose heads are cut according to a preferred grade



Kod	A	B	C	E
34	14	M6	90°	4
32	19,5	M8	90°	5

Product Application

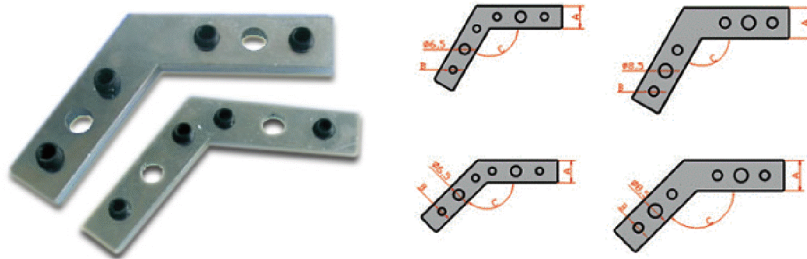




135 Graded Connection Part

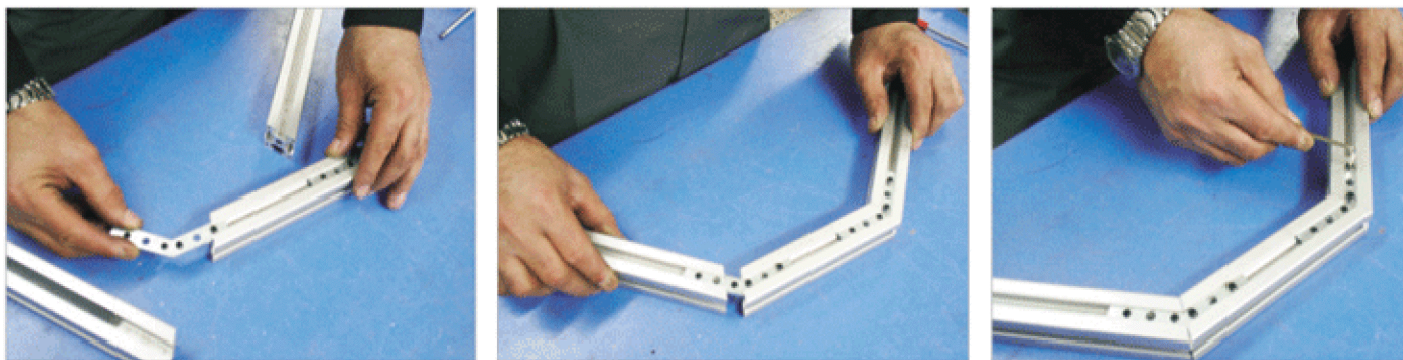
- (Code:32) 45x45 90 Graded Connection Part
- (Code:33) 45x45 120 Graded Connection Part
- (Code:33a) 45x45 135 Graded Connection Part

- It connects the profiles by mounting to the channels whose heads are cut according to a preferred grade
- Graded connection parts can be connected to the channel by centering fastly and easily.



Kod	A	B	C	E
33	19,5	M8	120°	5
33/A	19,5	M8	135°	5
35	14	M6	120°	4
35/A	14	M6	135°	4

Product Application

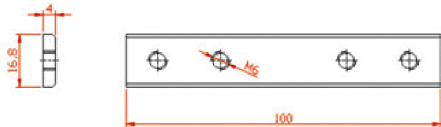


Plain Connection Part

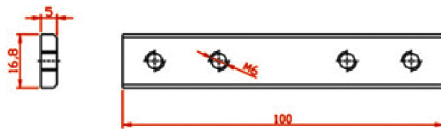
- Area of usage: Assemble two profile head on



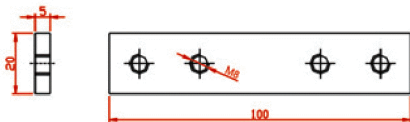
(Code:104/B) 30x30 Plain Connection Part



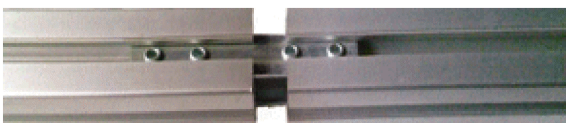
(Code:104) 35x35 Plain Connection Part



(Code:104/C) 45x45 Plain Connection Part



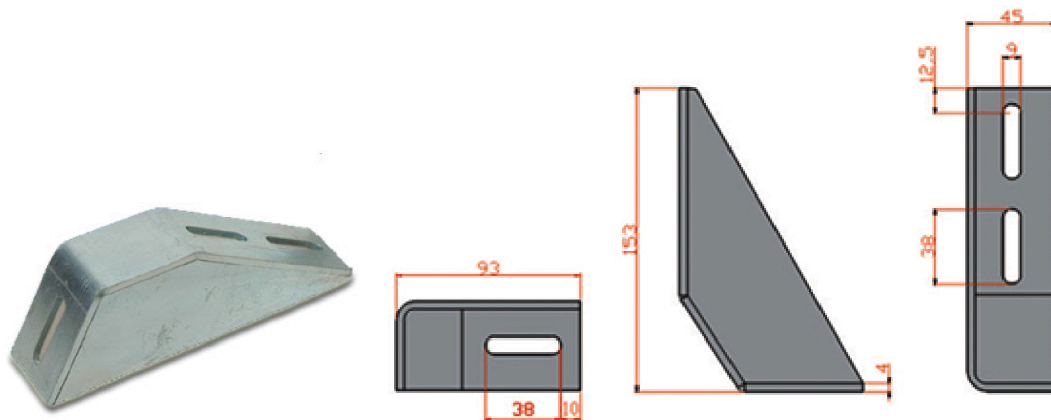
Product Practice





Foot Fixing Part (Code:57)

- It allows fixing feet to the floor by conveyor and machine
- One side is attached to profile and the other side is fixed to the floor by steel plugs



Product Practice



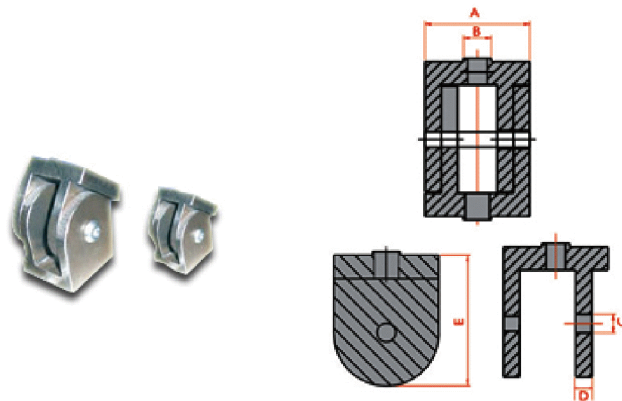


Moving Joint

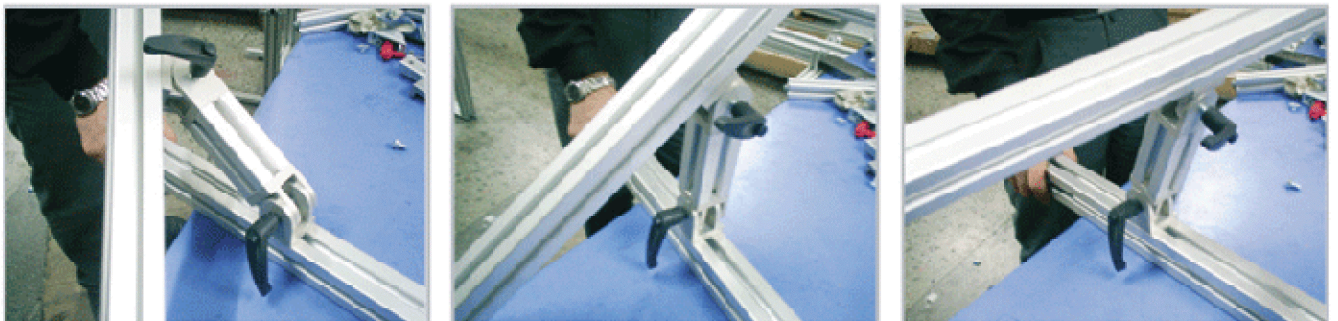
- It is possible connect fixed or moving profiles within an 180 degrees angle area.
- It can be easily connected to forehead and channel of the profile with the connection bolt.
- It provides a movement out of standards for the part.

(Code:36) 30X30 Moving Joints

(Code:37) 45x45 Moving Joints



Product Application

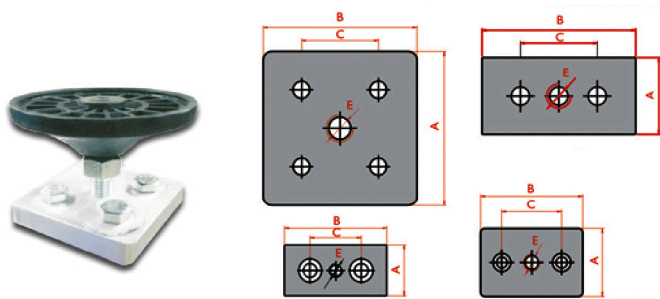




Foot Connection Part

Provide to keeping machine and chassis stable standing by connecting feet to forehead of profile with a bolt

- (Code:81/C) 30X60 Foot Connection Parts
- (Code:81/B) 45X45 Foot Connection Parts
- (Code:81/A) 45X90 Foot Connection Parts
- (Code:81) 90X90 Foot Connection Parts



Kod	A	B	C	D	E
81/C	30	60	30	15	M10
81/B	45	65	40	15	M10
81/A	45	90	45	15	M12
81	90	90	45	15	M16

Product Practice





Two Directional Side Connection Plate

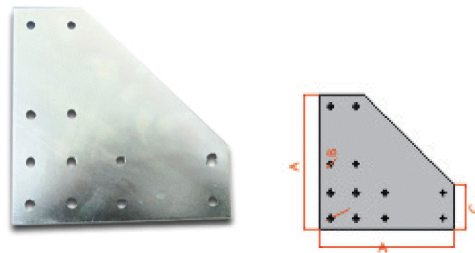
- It is possible to connect more than one profiles with only a single screw easily
- Aesthetics appearance.
- Area of usage: machines and conveyors feet.

(Code:72A) 30x30 Two Directional Side Connection Plate

(Code:56) 45x45 Two Directional Side Connection Plate

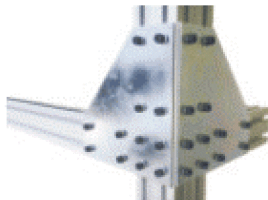
(Code:82A) 45x90 Two Directional Side Connection Plate

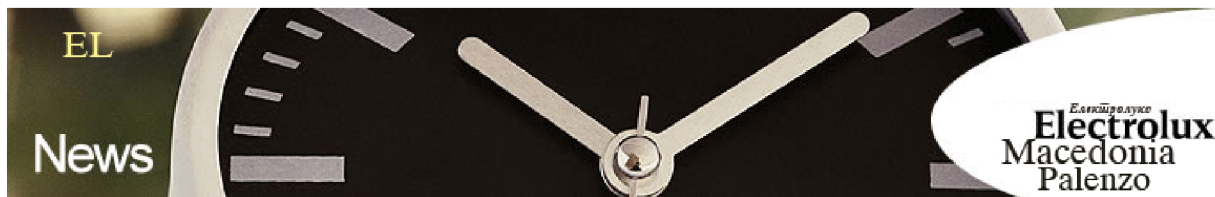
(Code:66) 90x90 Two Directional Side Connectional Plate



Kod	A	B	C	D
72/A	80	6,5	26	3
56	120	8,5	40	3
66	240	8,5	80	5

Product Practice





Three Directional Side Connection Plate

- It is possible to connect more than one profiles with only a single screw easily
- Aesthetics appearance.
- Area of usage: machines and conveyors feet.
- It allows alternative connection with reinforced strength.

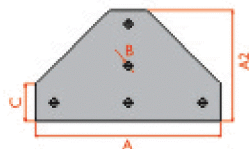
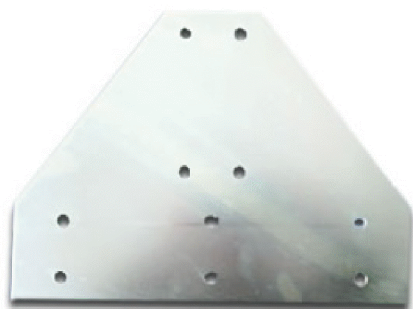
(Code:72B) 30x30 Three Directional Side Connection Plate

(Code:56A) 45x45 Three Directional Side Connection Plate

(Code:66A) 90x90 Three Directional Side Connection Plate

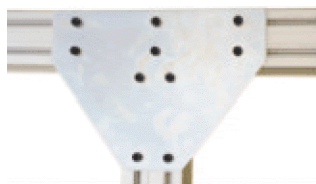
(Code:82B) 45x90 Three Connection Parts

(Code:50D) 45x90 Additional Plain Con.Plate



Kod	A	B	C	D
72/A	80	6,5	26	3
56	120	8,5	40	3
66	240	8,5	80	5

Product Practice





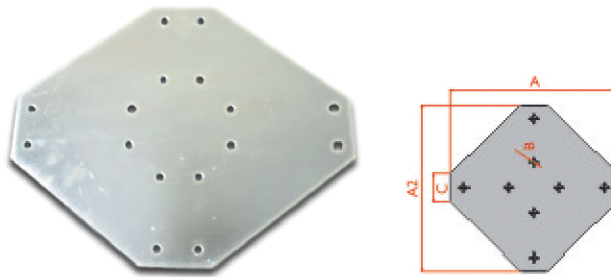
Four Directional Side Connection Plate

- It is possible to connect more than one profiles with only a single screw easily
- Aesthetics appearance.
- Area of usage: machines and conveyors feet.
- It allows alternative connection with reinforced strength.

(Code:72C) 30x30 Four Directional Side Con.Plate

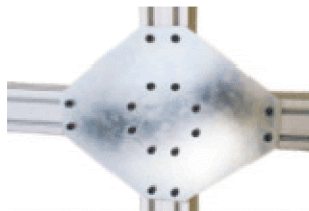
(Code:56B) 45X45 Four Directional Side Con.Plate

(Code:66B) 90X90 Four Directional Side Con.Plate



Kod	A	A2	B	C	D
72/C	150	150	6,5	26	3
56/B	200	155	8,5	40	5
66/B	320	310	8,5	80	5

Product Practice



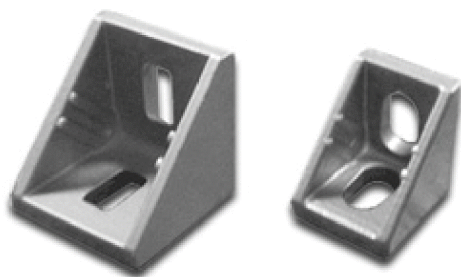


20x20 - 25x25 - 30x30 Corner Connection

(Code:54K) 20x20 and 25x25 Corner Connection

(Code:55G) 30x30 Corner Connection

- For small sized profiles.
- Keep out of sight with plastic cover



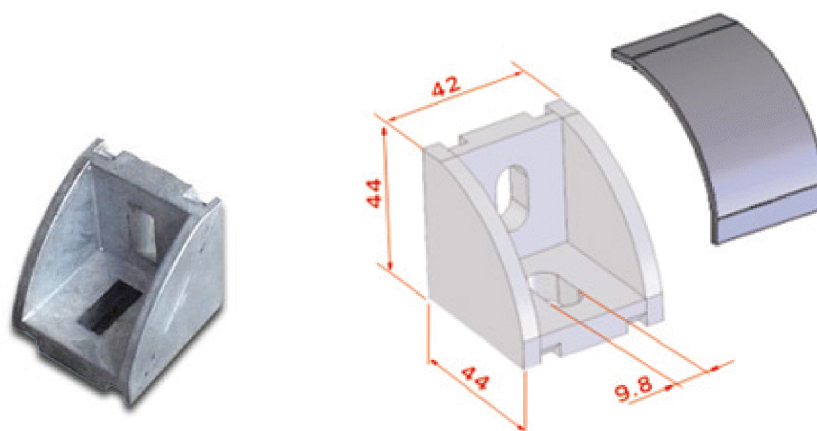
Product Practice



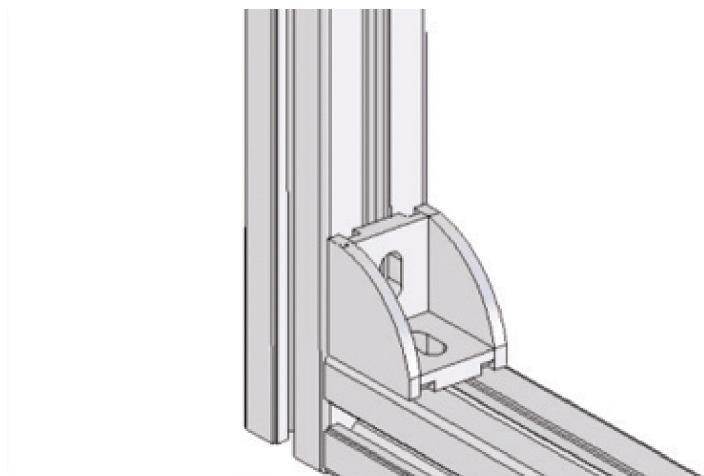


45X45 Corner Connection (Wide) (Code:54G)

- It allows connection of 90 degrees at profile applications.
- Aesthetic appearance with plastic cover



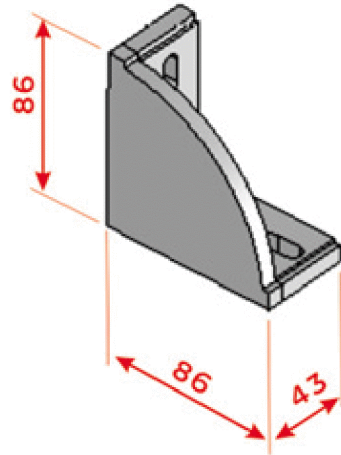
Product Practice



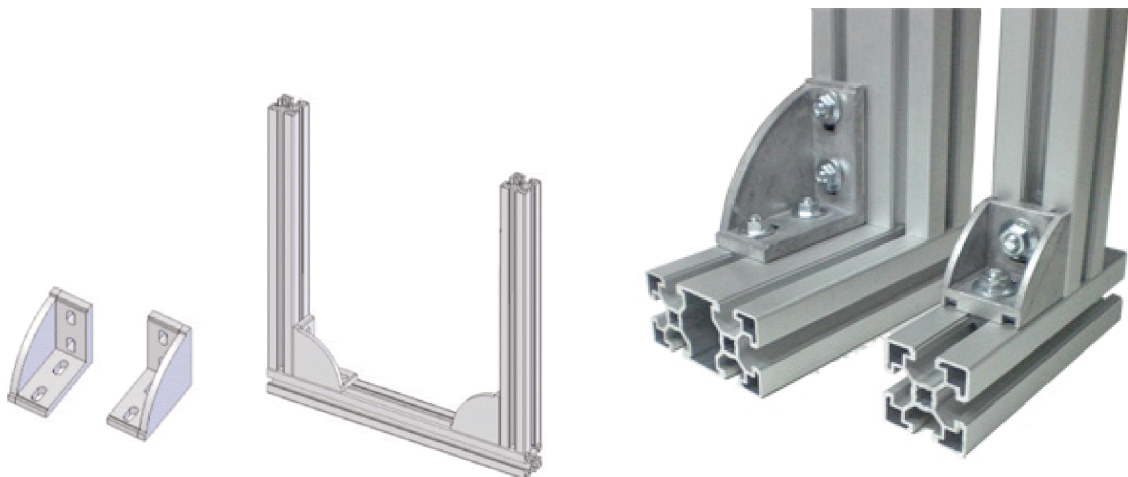


45x90 Corner Connection (Long) (Code:54C)

- Area of usage: large profiles.
- Used when durability is essential



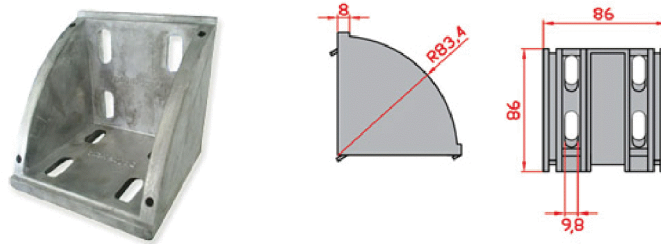
Product Practice





90x90 Corner Connection (Code:52)

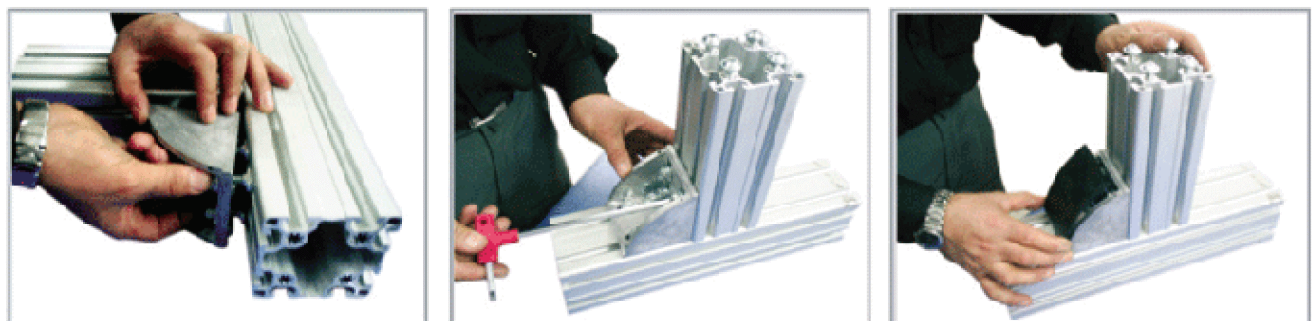
- This corner connection forms a strong stabilization and stronger connection for large profiles.
- Plastic cover provide an aesthetic appearance

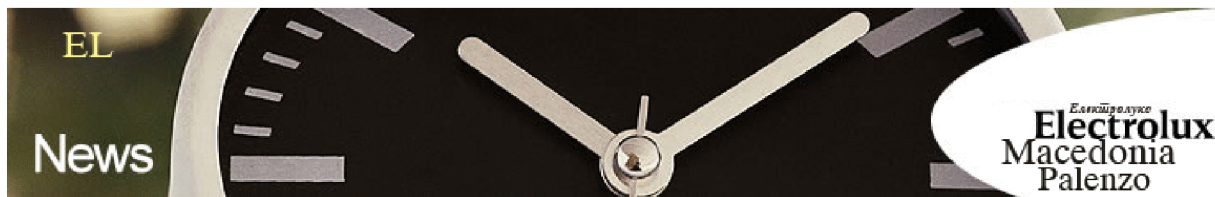


Product Practice



Product Application





Narrow Corner Connection

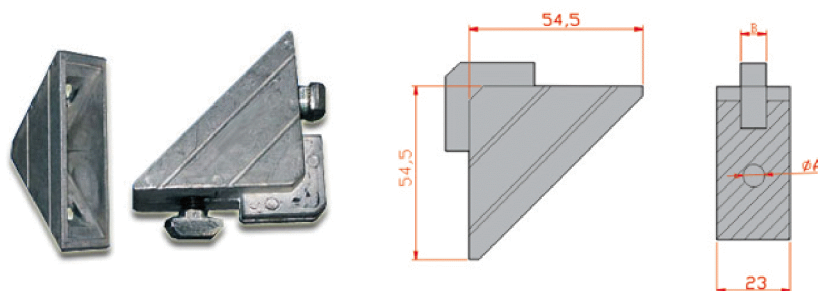
- (Code:55) 30X30 Corner Connection (Aluminum) (Narrow, Interlace)
- (Code:54) 45X45 Corner Connection (Aluminum) (Narrow, Interlace)
- (Code:55Z) 30X30 Corner Connection (Zamak) (Narrow, Interlace)
- (Code:54Z) 45X45 Corner Connection (Zamak) (Narrow, Interlace)

It allows connection of 90 degrees at profile applications.

Fixing corner combinations.

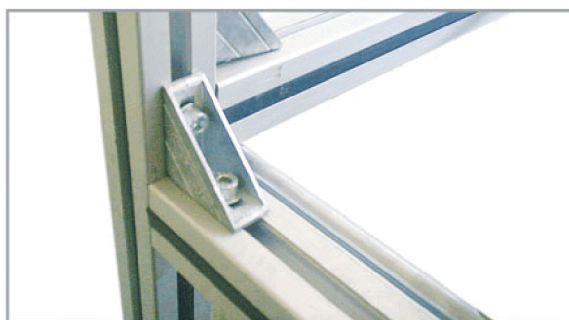
Used when durability and the resistance of frames and constructions are essential

It is suitable for connection of metal plate and chipboard to side surfaces.



Kod	A	B
55	Ø 6,5	8
54	Ø 8,5	10

Product Practice





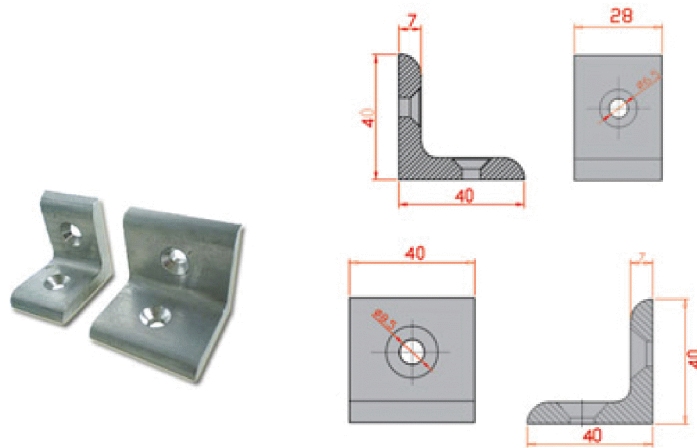
Straight Corner Connection

(Code:53) 30X30 Corner Connection (Straight)

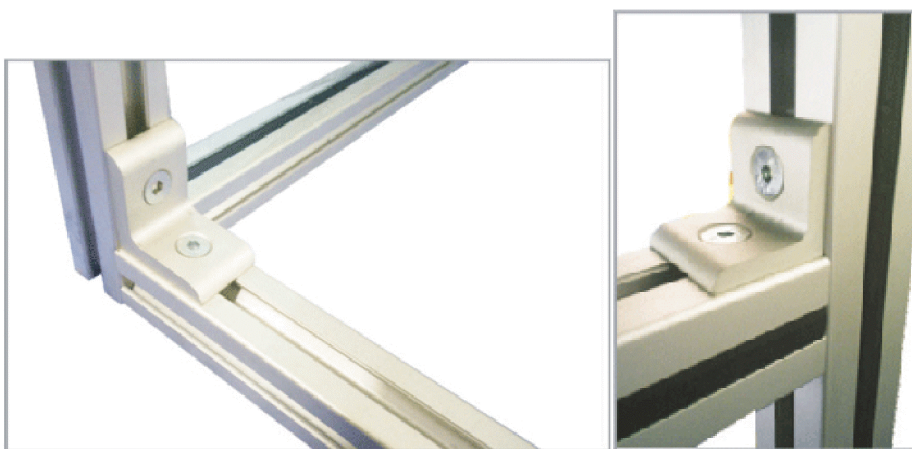
(Code:53A) 45X45 Corner Connection (Flat)

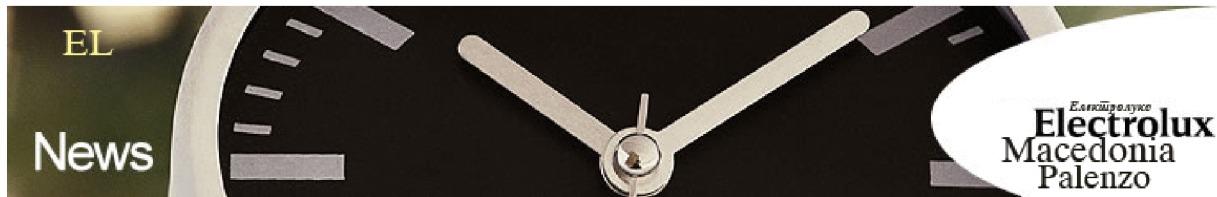
Fix the profile and stops the rotation.

According to the connection feature is possible fixing on the desired place



Product Practice

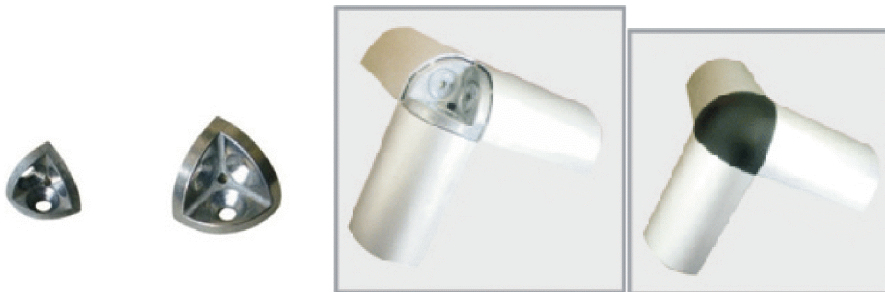


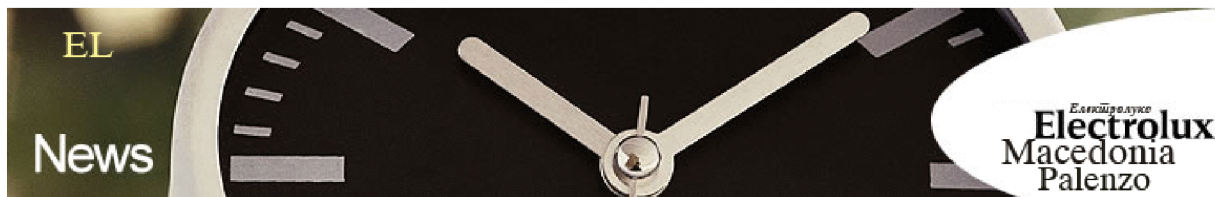


Radius Corner Connection

(Code:55R) 30x30 Radius Corner Connection
(Code:54R) 45x45 Radius Corner Connection

Area of usage: corner fastening of radius profile.
Plastic cover provide an aesthetic appearance at applications such as table shelf, stand, panel.

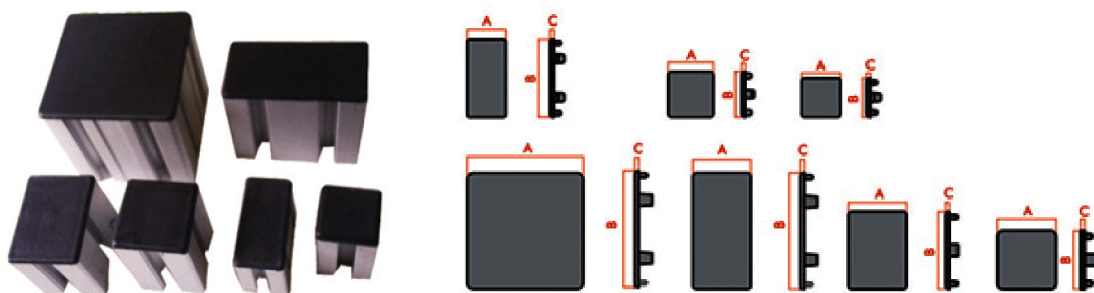




Profile Caps

- (Code:58P)** 20X20 Profile Cover
- (Code:58R)** 25X25 Profile Cover
- (Code:58A)** 30X30 Profile Cover
- (Code:058)** 35X35 Profile Cover (Heavy)
- (Code:58H)** 35X35 Profile Cover (Light)
- (Code:58B)** 30X60 Profile Cover
- (Code:58C)** 45X45 Profile Cover
- (Code:58J)** 45X60 Profile Cover
- (Code:58D)** 45X90 Profile Cover
- (Code:58G)** 60x60 Profile Cover
- (Code:58E)** 90X90 Profile Cover

It provides an aesthetic appearance by mounting to profile foreheads
 Pollution at open places can be prevented.
 It prevents the possibility of the damage of profile ends.



Kod	A	B	C
58	35	35	3,3
58/A	30	30	3,3
58/B	30	60	3,3
58/C	45	45	3,3
58/D	45	90	3,3
58/E	90	90	3,3
58/H(light)	35	35	3,3
58/J	45	60	3,3



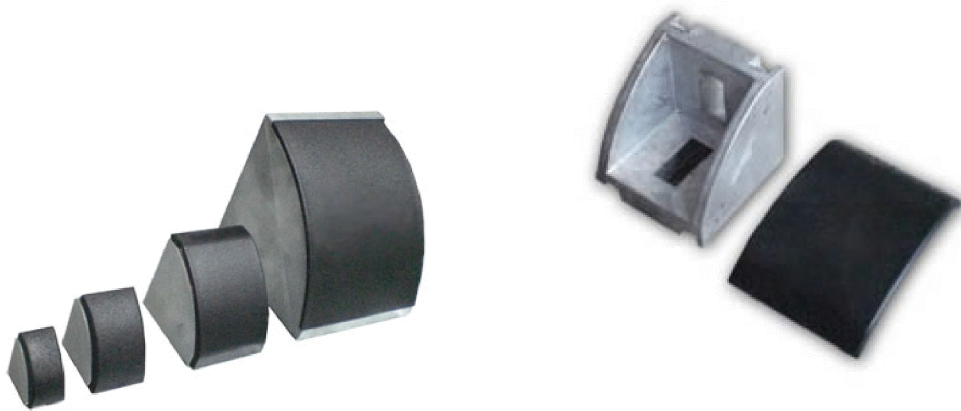
Corner Connection Covers

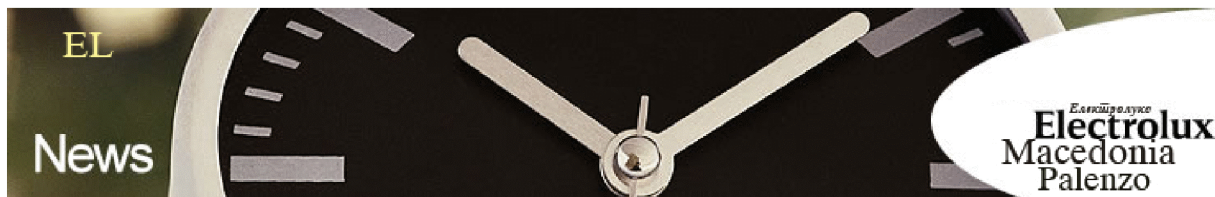
(Code:96K) 20-25 Small Corner Connection Cover

(Code:96G) 45X45 Wide Corner Connec. Cover

(Code:96) 90x90 Wide Corner Connec. Cover

An aesthetic appearance is achieved with plastic covers at the corner connections by hide bolt connections





Radius Corner Connection Covers

(Code:96A) 30X30 Radius Corner Connection Covers

(Code:96B) 45X45 Radius Corner Connection Covers

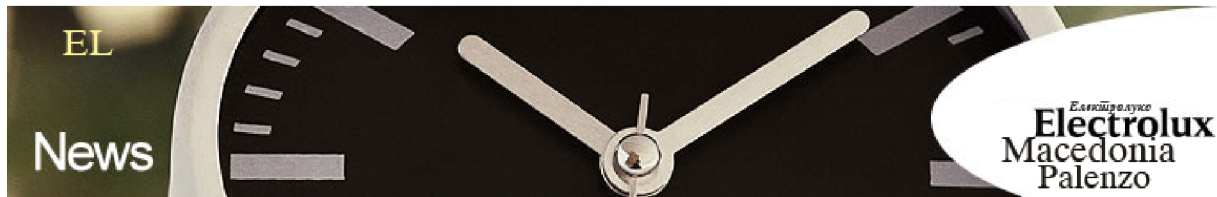
Area of usage: corner connection of the radius profiles.

Plastic cover provide an aesthetic appearance at applications such as table shelf, stand, panel.



Product Practice





Chrome Metal Feet

- (Code:62C) 45x45 Feet Q60 (Chrome Metal) M10
- (Code:62B) 45x90 Feet Q80 (Chrome Metal) M12
- (Code:62A) 90X90 Feet Q120 (Chrome Metal) M16



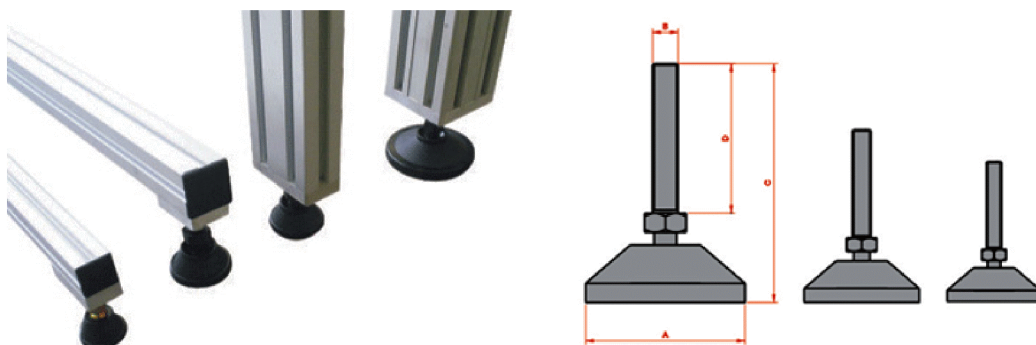
Product Practice



Plastic Feet

It is used as floor contact for profiles applications such as conveyor, machine and the table at every type of construction.
It adapts to the shape of the floor it stands owing to its joint structure.
It provides balanced sitting.
It is possible adjusting height
According to the center measure of the profile that it will be mounted,
It requires preference of stud bolts of different diameters.
Various options of diameter

- (Code:62D) 20X25 Feet (PLS) M6
- (Code:62) 30X30 Feet (PLS) M8
- (Code:61) 45X45 Feet (PLS) M10
- (Code:61C) 45x90 Feet (PLS) M12
- (Code:061B) 90X90 Feet (PLS) M16



Kod	A	B	C	D
61	75	M10	85	57
61/C	75	M12	95	67
62	50	M8	75	47
61/B	110	M16	160	110

Wheels

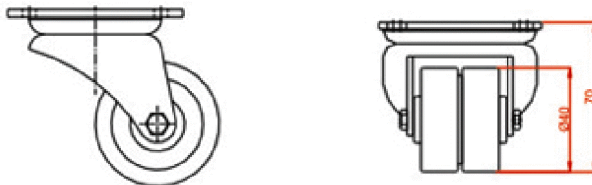
- - Wheel provides movement for modular applications.
- - Service tables' feet enable movement of the chassis and conveyors from one place to another.
- - Different wheel sizes are preferred according to the profile



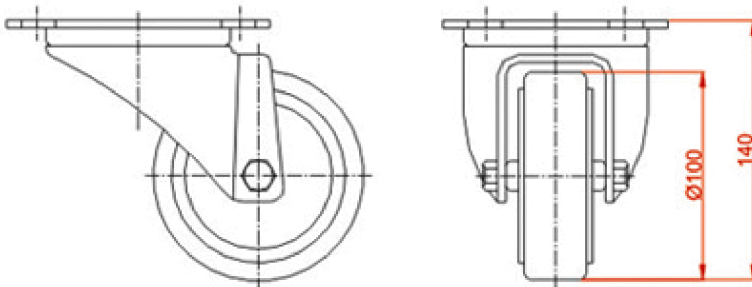
(Code:99) 45X45 Single Wheel With Brake Ø 50



(Code:99c) 45X45 Double Wheel With Brake Ø 50



(Code:99d) 45X90 Single Wheel With Brake Ø 100



Product Practice





Channel Seals

- Aesthetic appearance on the outside of the profile channel.
- It closes the cables which are used through channels
- Prevent the cables from dirtiness
- (Code 49) is used on profiles with 8 mm channel width.
- (Code 59) is used on profiles with 10mm channel width.

(Code:049) 30X30 Channel Seal (BLACK)

(Code:049K) 30X30 Channel Seal (RED)

(Code:049M) 30X30 Channel Seal (BLUE)

(Code:049G) 30X30 Channel Seal (GREY)

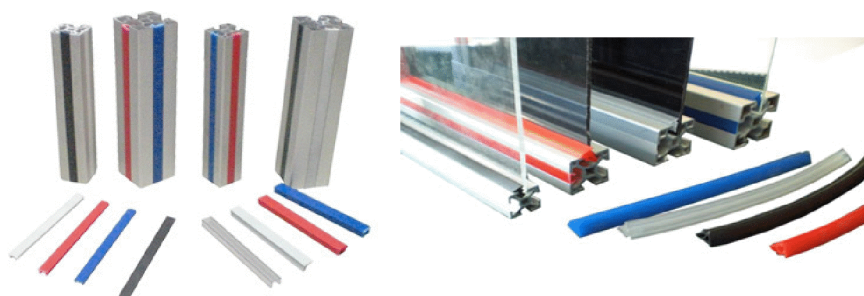
(Code:059) 45X45 Channel Seal (BLACK)

(Code:059K) 45X45 Channel Seal (RED)

(Code:059M) 45X45 Channel Seal (BLUE)

(Code:059B) 45X45 Channel Seal (GREY)

(Code:059C) 45X45 Channel Seal (transparent)



Product Practice

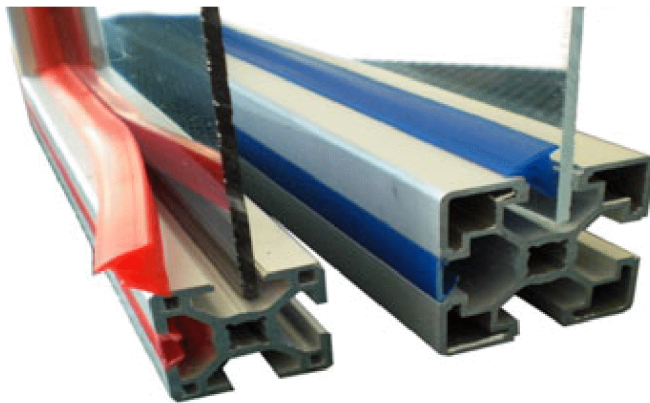
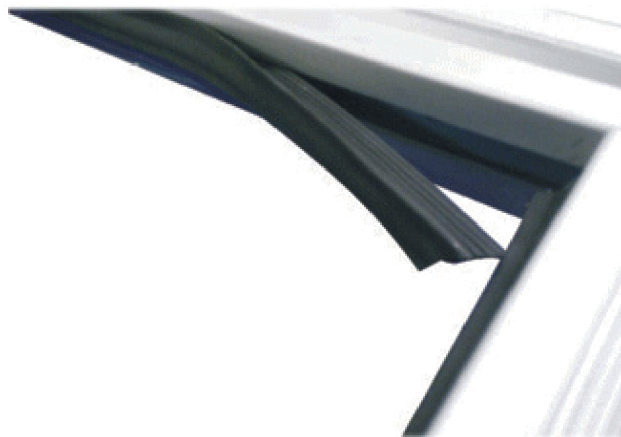
Application of red Channel Seal ---- Application of Blue Channel Seal





Glass Seal (Code:71)

It enable fixing the plexiglass in the profile channel by entering between plexiglass and profile at the cabin applications
Various color and transparent choices





Friction Plate 45x75 (Code: 58f)





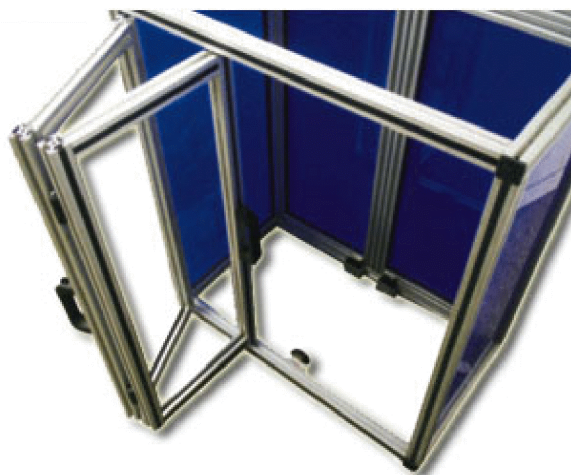
Accordion Slider Pin

(Code:75D) 30x30 Accordion Slider Pin

(Code:75C) 45x45 Accordion Slider Pin



Product Practice



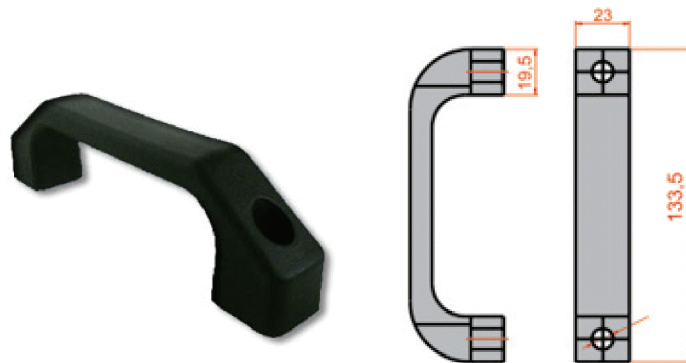


Ball Catch (Code:69F)



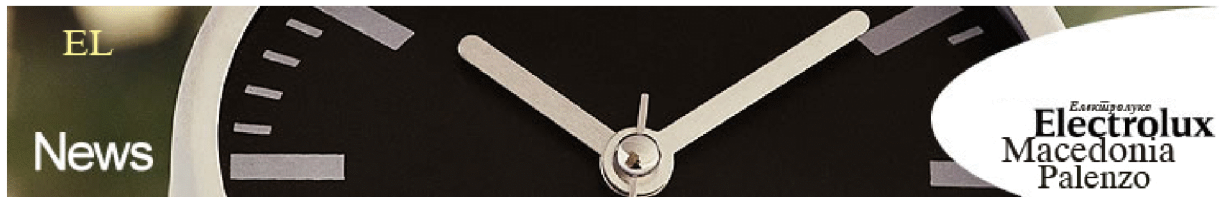
Handle (Code:67)

It enable opening/closing of the cabin



Product Practice





Dampers

- (Code:A107) Dampers (Stroke 150 mm) F 300 N
- (Code:A153) Dampers(Stroke 105 mm) F 150 N
- (Code:A169) Dampers(Stroke 85 mm) F 85 N



Product Practice

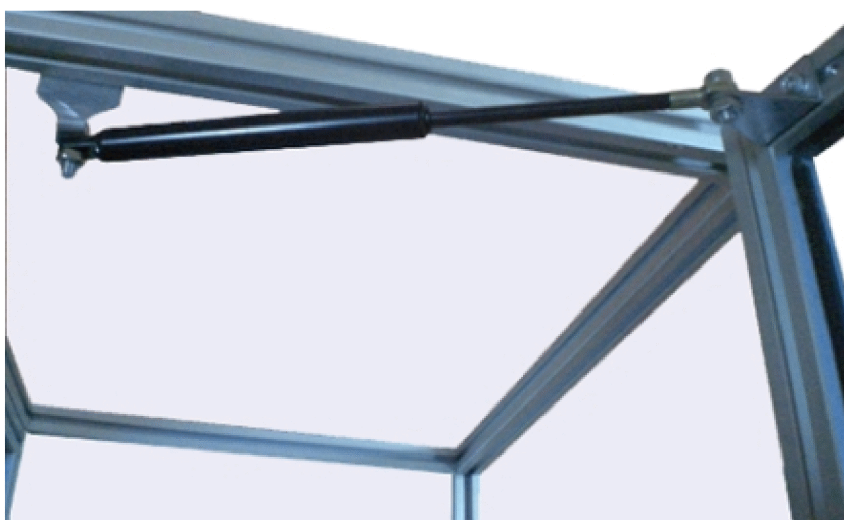




Dampers Connection Parts (Code:AB)



Product Practice

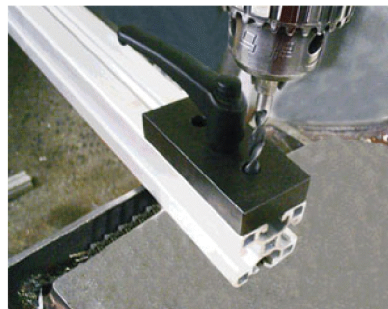
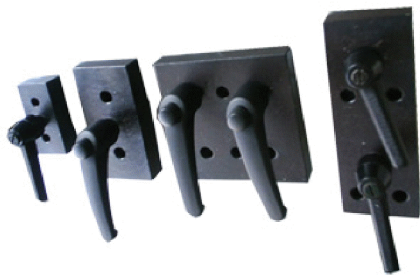




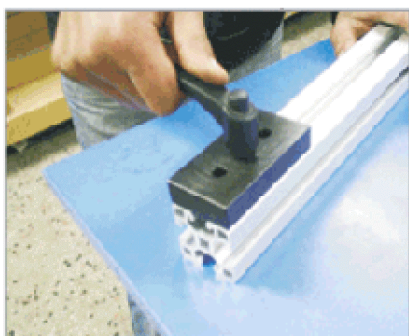
Drilling Apparatus

- For tightening to head bolt which are used for connect to profiles by Six corner Hex hole
- Hex holes can be opened easily with drilling apparatus.
- Can fix for all types of profiles.

- (Code:103F) Drilling Apparatus 20X20
- (Code:103G) Drilling Apparatus 25X25
- (Code:103B) Drilling Apparatus 30X30
- (Code:103C) Drilling Apparatus 35X35 Light
- (Code:103D) Drilling Apparatus 35X35 Heavy
- (Code:103A) Drilling Apparatus 45X45
- (Code:103E) Drilling Apparatus 23X127
- (Code:103) Drilling Apparatus 90X90



Product Application

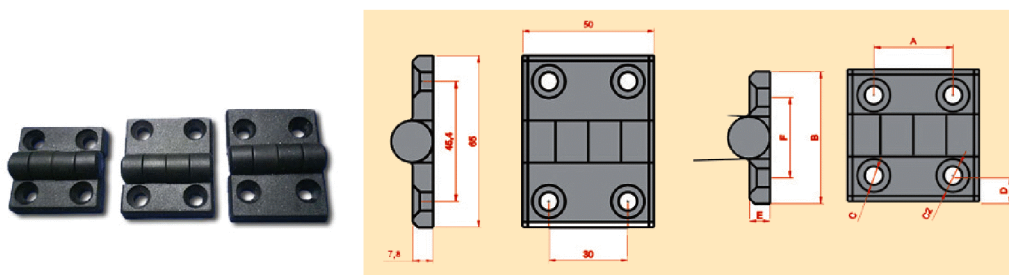




Hinges

- It provides movement ability of two same or different profiles
- Area of usage: can, bin covers and similar applications
- It allow easy connection to profile channel with bolt.
- Aesthetic appearance with other tools

(Code:65A) 30X30 Hinge (Pls)
(Code:65F) 30X35 Hinge (Pls)
(Code:65B) 35X35 Hinge (Pls)
(Code:65C) 45X45 Hinge (Pls)
(Code:065D) 45X30 Hinge (Pls)
(Code:065E) 45X35 Hinge (Pls)



Kod	A	B	C	C2	D	E	F
65/A	30	50	Ø 7	Ø 12,5	9,5	7,8	30
65/B	30	64	Ø 7	Ø 12,5	14	8	35
65/C	30	64	Ø 7	Ø 12,5	9,5	8	45
65/D	30	57	Ø 7	Ø 12,5	9,3	8	37,5
65/E	30	64	Ø 7	Ø 12,5	14	8	40
65/F	30	57	Ø 7	Ø 12,5	9,5	8	32,5

Product Application

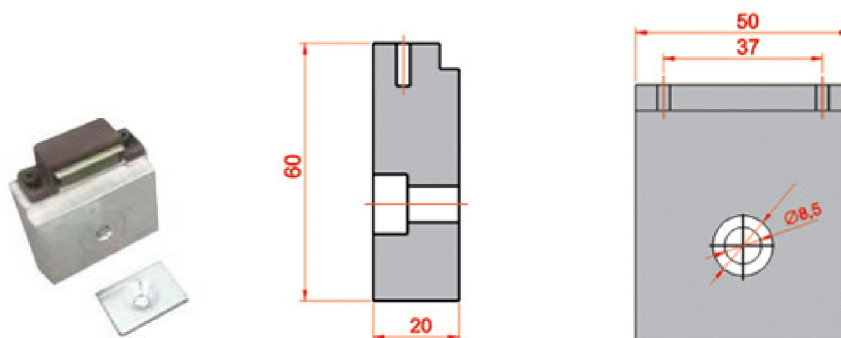




Magnet Set

(Code:69B) 30x30 Magnet Set
(Code:69C) 35x35 Magnet Set
(Code:69) 45x45 Magnet Set

- It allows to hold off cabinet covers.
- It can be used to assemble joint component at the edge of profile on applications of cabinets' mover wings



Product Practice



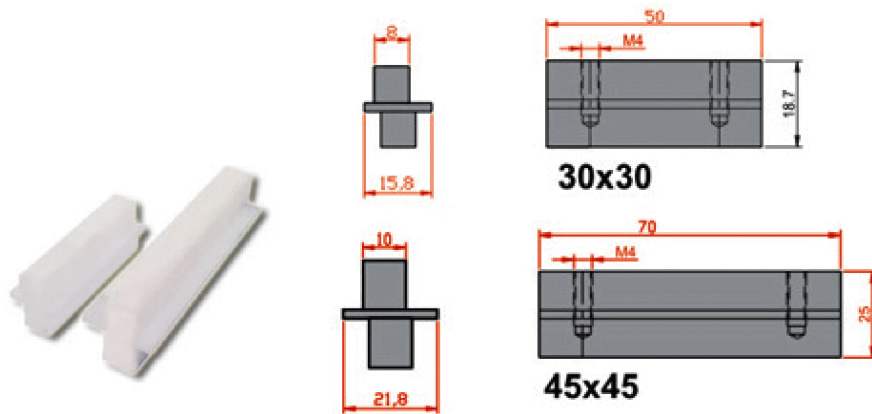


Sliding Rails

- It is the connection part, which provide guidance at the sliding door cabins

(Code:75) 30X30 Sliding Rails

(Code:75A) 45X45 Sliding Rails



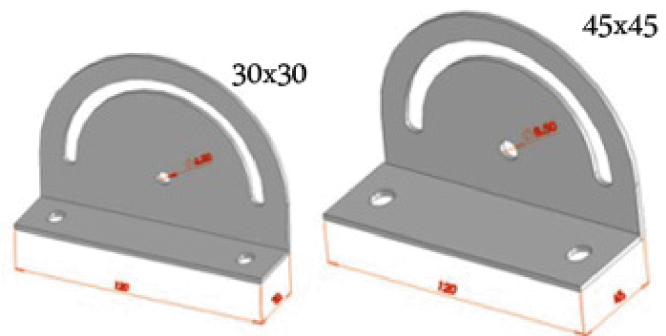


Shelf Adjusting Plate

- It allows adjustment of the tripods and tables in an area of 90 degrees which is required.
- It enables fixing by tightening arms at required angle.

(Code:98) Shelf Adjusting Plate 30x30

(Code:98K) Shelf Adjusting Plate 45x45



Product Application





Plexiglas Application

- (Code:86) Plexiglas.3mm 1X1 m
- (Code:86A) Plexiglas .4mm 1X1 m
- (Code:86B) Plexiglas.5mm 1X1 m
- (Code:86C) Plexiglas .6mm 1X1 m
- (Code:87C) Plexiglas .8mm 1X1 m

- Area of usage: closing of the cabins
 - Various colors
- Its connected by entering to profile channel and fixed with glass seal

