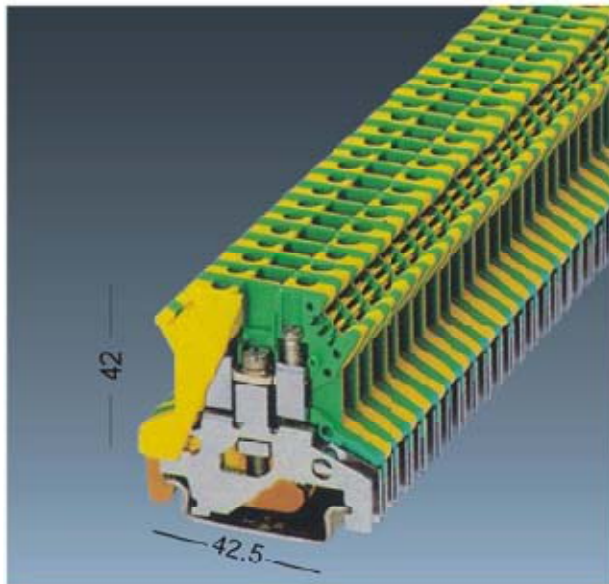
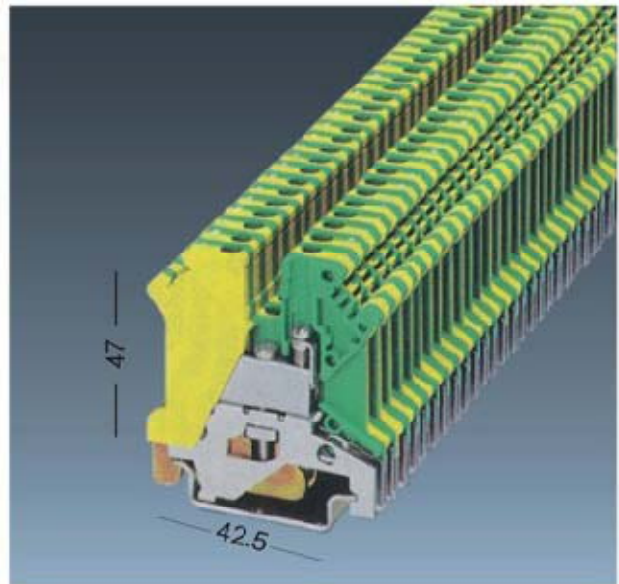


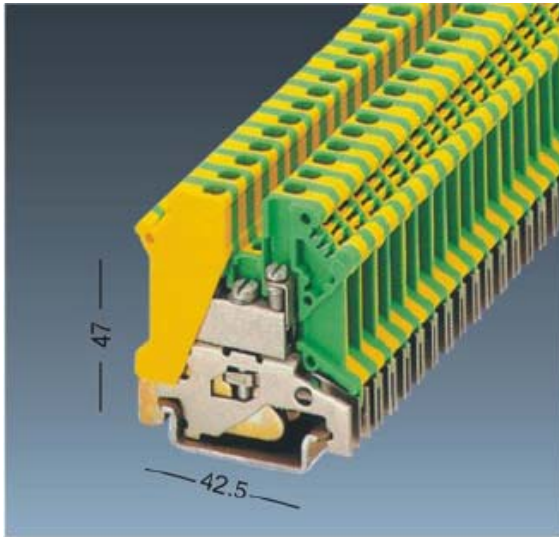
Normal Earth Terminal



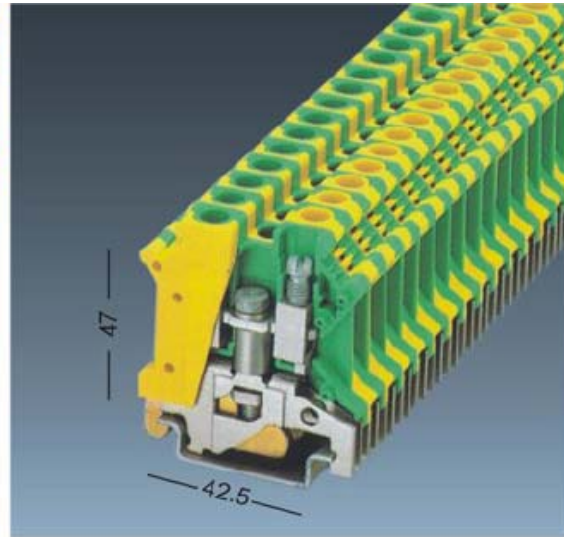
Type	Thickness of terminal 6.2		
JUSLKG 2.5	Hard lead [mm ²]	Soft lead [mm ²]	
IEC 947-7-2	0.2-4	0.2-2.5	With label strip (ZB6)
CE CQC Certificate	Current 32A		In C type



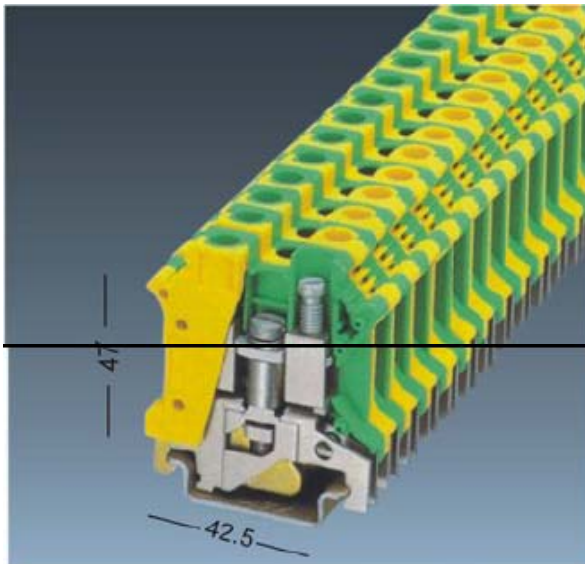
Type	Thickness of terminal 5.2		
JUSLKG 3	Hard lead [mm ²]	Soft lead [mm ²]	
IEC 947-7-2	0.2-4	0.2-2.5	With label strip (ZB5)
CE CQC Certificate	Current 34A		In C type



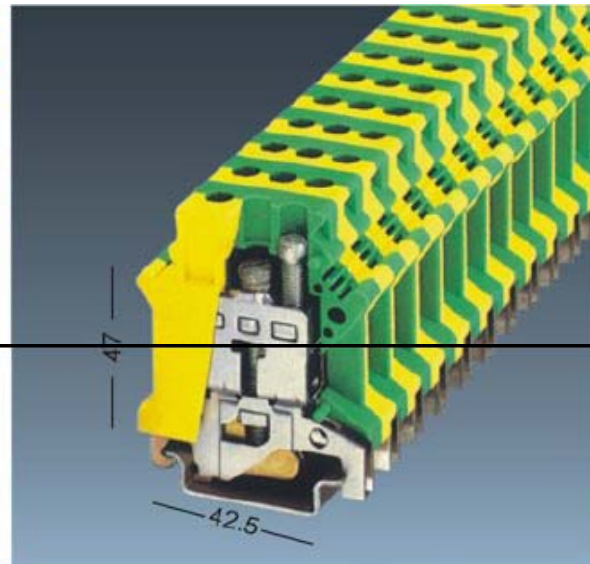
Type	Thickness of terminal 6.2		
JUSLKG 5	Hard lead [mm ²]	Soft lead	
IEC 947-7-2	0.2-4	0.2-4	With label strip (ZB6)
CE CQC Certificate	Current 34A		In C-U type



Type	Thickness of terminal 8.2		
JUSLKG 6	Hard lead [mm ²]	Soft lead	
IEC 947-7-2	0.2-10	0.2-6	With label strip (ZB8)
CE CQC Certificate	Current 37A		In C-U type



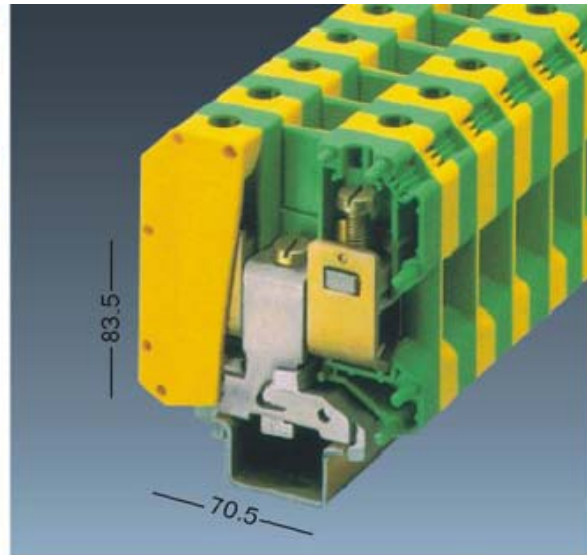
Type	Thickness of terminal 10.2		
JUSLKG 10	Hard lead [mm ²]	Soft lead	
IEC 947-7-2	0.5-16	0.5-10	With label strip (ZB10)
	Current 76A		In C-U type



Type	Thickness of terminal 12.2		
JUSLKG 16	Hard lead [mm ²]	Soft lead	
IEC 947-7-2	2.5-25	4-16	With label strip (ZB5)
	Current 101A		In C-U type

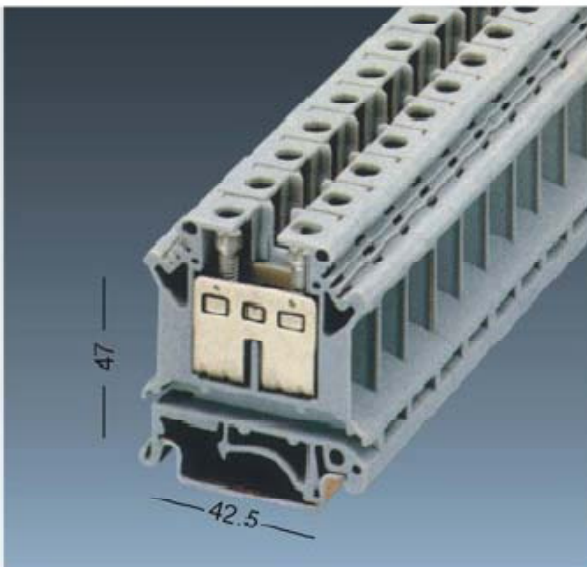


Type	Thickness of terminal 15.2		
JUSLKG 35	Hard lead [mm ²]	Soft lead	
IEC 947-7-2	0.2-4	0.2-4	With label strip (ZB6)
CE CQC Certificate	Current 125A		In C type

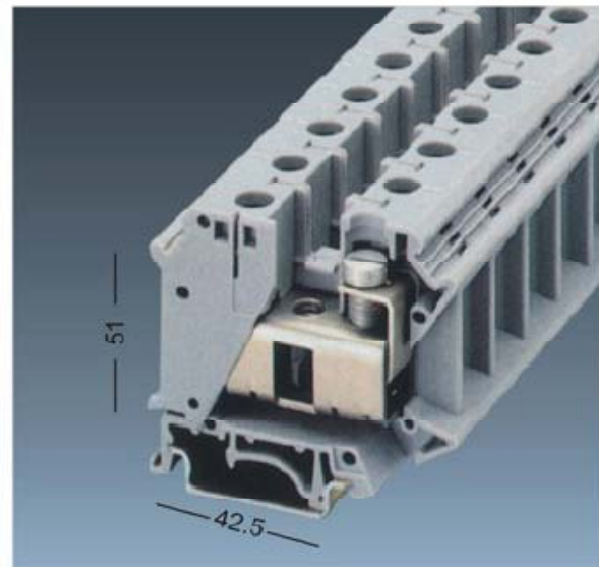


Type	Thickness of terminal 20.5		
JUSLKG 50	Hard lead [mm ²]	Soft lead	
IEC 947-7-2	16-50	25-50	With label strip (ZB10)
CE CQC Certificate	Current 150A		In C type

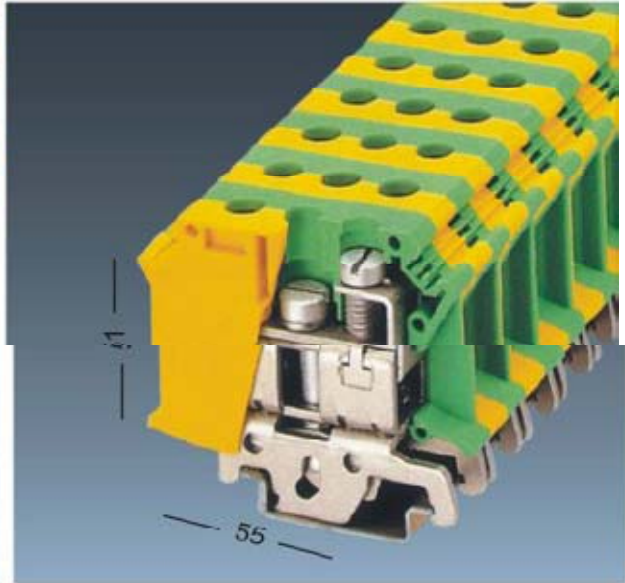
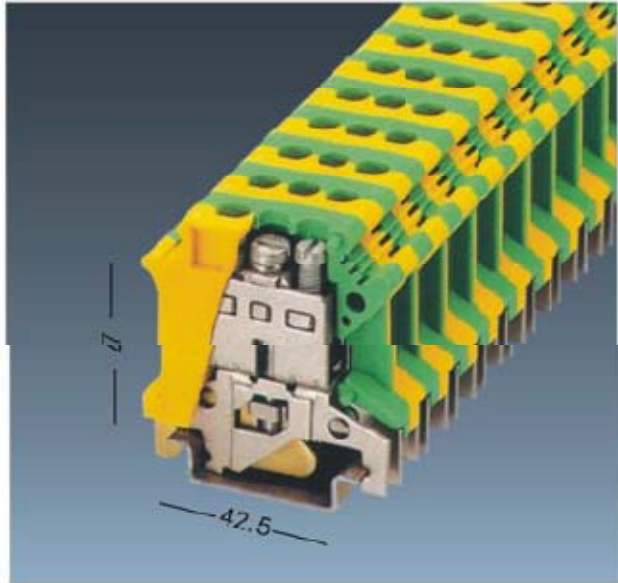
Terminal for construction installation



Type	Thickness of terminal 12.2		
JUIK 16	Hard lead [mm ²]	Soft lead	
IEC 947-7-1	2.5-25	4-16	With label strip (ZB10)
CE CQC Certificate	Current 101A	Voltage 800V	In C type



Type	Thickness of terminal 15.2		
JUIK 35	Hard lead [mm ²]	Soft lead	
IEC 947-7-1	0.75-35	0.75-35	With label strip (ZB10)
CE CQC Certificate	Current 125A	Voltage 800V	In C type



Type	Thickness of terminal 12.2		
JUISLKG 16	Hard lead	Soft lead	
	[mm ²]		
IEC 947-7-2	2.5 25	4 16	With label strip (ZB10)
CE CQC Certificate	Current 101A	In C type	

Type	Thickness of terminal 15.2		
JUISLKG 35	Hard lead	Soft lead	
	[mm ²]		
IEC 947-7-2	0.75 35	0.75 35	With label strip (ZB10)
CE CQC Certificate	Current 125A	In C type	