

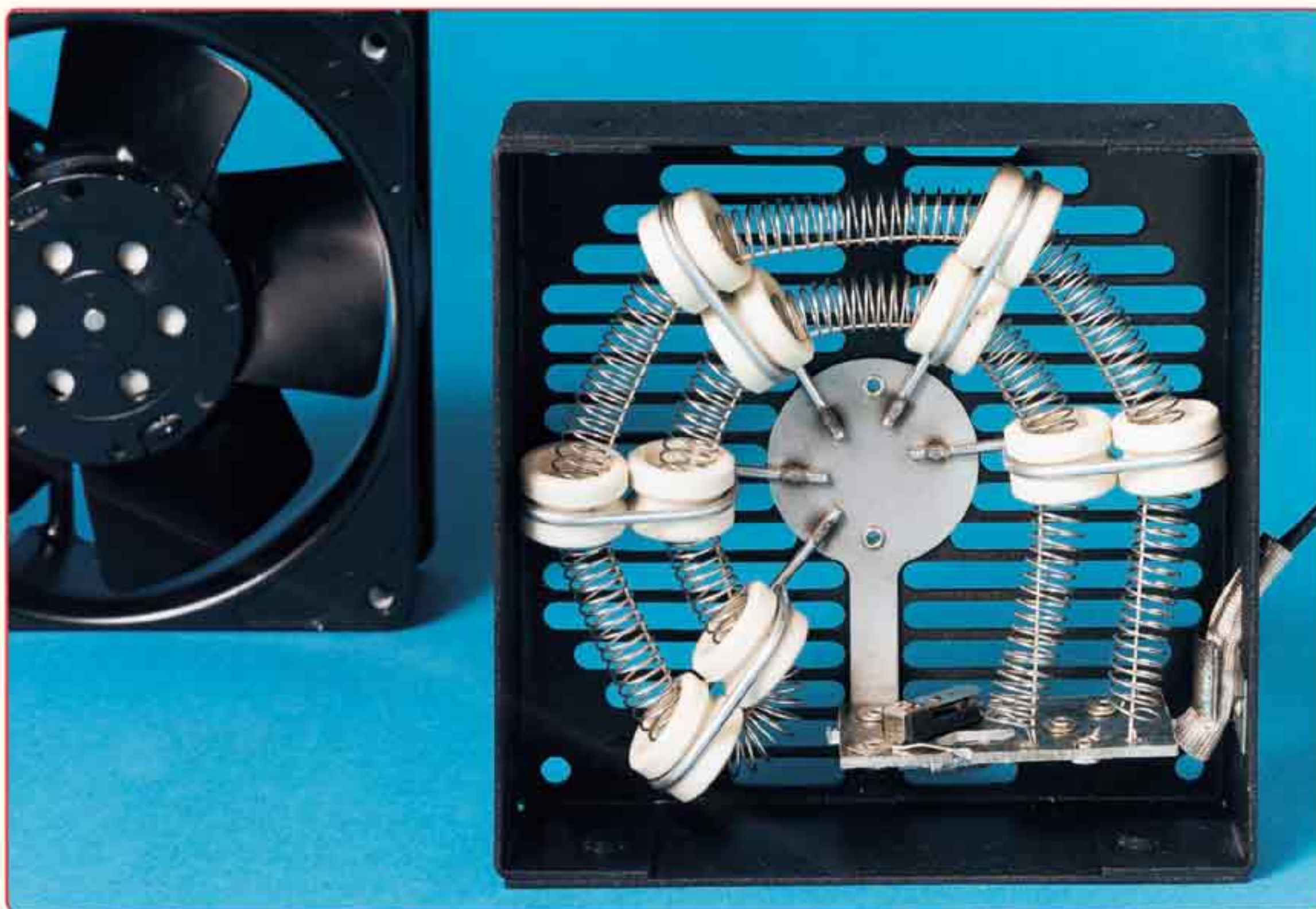


Tel: 828.684.3766

Fax: 828.684.3768

**F A R N A M**  
CUSTOM PRODUCTS

# Axial Fan Heater



Farnam Custom Products has developed a unique and easy to install Axial Fan Heater (Series AF20). This heater mounts directly to square axial fans. It even uses the same mounting holes for the fan itself. Attachment couldn't be simpler. In addition, the AF20 heater housing functions as a guard for both the heater and the fan.

These standard heaters are available in several sizes, a broad range of wattages, and with custom features. They are ideal for a wide range of drying, curing and warming applications typically found in film processing, lab and medical instruments.

All our Axial Fan Heaters are standard products with UL approval. They can be easily tailored to fit your requirements. Just use the part number to specify the features you need.







## Axial Fan Heater

### Wattage:

50-175 (2<sup>3</sup>/<sub>8</sub>" size)  
 50-450 (3<sup>1</sup>/<sub>8</sub>" size)  
 50-800 (4<sup>11</sup>/<sub>16</sub>" size)

### Voltage:

120 - 120 volts  
 240 - 240 volts

### Overtemperature Cutout

(autoreset thermostat)

X- Thermostat not required

|     |       |         |
|-----|-------|---------|
| 1A- | 65°C  | (149°F) |
| 1B- | 70°C  | (158°F) |
| 1C- | 80°C  | (176°F) |
| 1D- | 85°C  | (185°F) |
| 1E- | 90°C  | (194°F) |
| 1F- | 100°C | (212°F) |
| 1G- | 120°C | (248°F) |
| 1H- | 130°C | (266°F) |
| 1J- | 150°C | (302°F) |

### Thermal Fuse

X- Fuse not required

|    |       |         |
|----|-------|---------|
| D- | 93°C  | (199°F) |
| F- | 104°C | (219°F) |
| H- | 117°C | (243°F) |
| K- | 128°C | (262°F) |
| L- | 152°C | (306°F) |
| M- | 184°C | (363°F) |
| N- | 192°C | (377°F) |
| R- | 229°C | (444°F) |

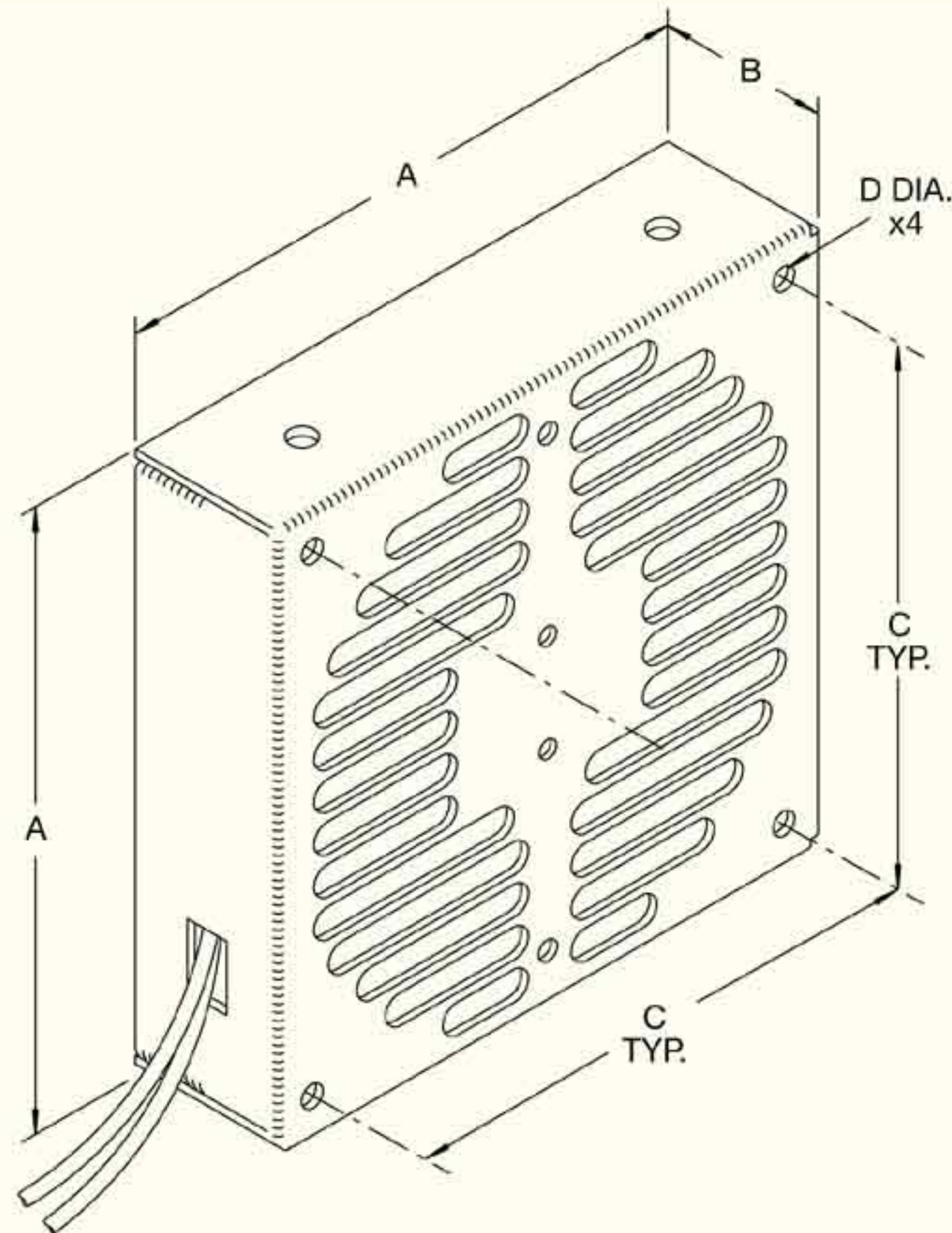
Fuse setpoint is a minimum 25°C above thermostat setpoint or routine temperature spike.

### Lead Length

Specify length required.  
 Standard lead length is 10".  
 Ex. 18=18" long leads.

### Fan Size:

2.4=2<sup>3</sup>/<sub>8</sub>" square fan  
 3.1=3<sup>1</sup>/<sub>8</sub>" square fan  
 4.7=4<sup>11</sup>/<sub>16</sub>" square fan



| SIZE | A     | B    | C     | D    |
|------|-------|------|-------|------|
| 2.4  | 2.34  | 1.25 | 1.97  | .166 |
| 3.1  | 3.125 | 1.25 | 2.81  | .188 |
| 4.7  | 4.68  | 1.25 | 4.125 | .188 |

## PRODUCT FEATURES/ORDERING INFORMATION

|        |         |         |                        |              |             |           |                                |
|--------|---------|---------|------------------------|--------------|-------------|-----------|--------------------------------|
| AF20   | 800     | 120     | D                      | H            | 10"         | 4.7       | mmm                            |
| Series | Wattage | Voltage | Overtemperature Cutout | Thermal Fuse | Lead Length | Fane Size | Modification Number (Optional) |