



# Integrated systems

## Scribing marking heads



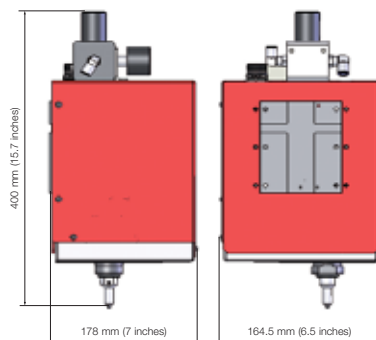
### ► e8 RANGE

e8-i61s

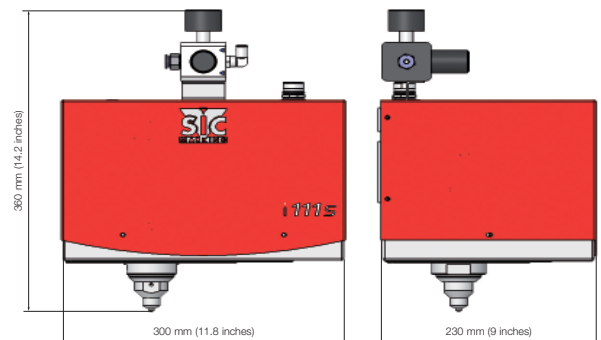
e8-i111s



## e8-i61s



## e8-i111s



### Low cost of ownership:

- No consumables
- No maintenance required

### Robust and reliable:

- Fully enclosed system
- Protection bellows
- Designed for heavy use in industrial environments

### Wide range of options

### High performance:

- High marking quality (carbide or diamond stylus)
- Marking depth
- High speed
- Powerful integrated software

### Simple and user-friendly:

- Extremely quiet
- Straightforward integration
- Removable robotic cable
- Simple programming

## MECHANICAL TECHNICAL FEATURES

**i61s**

**i111s**

Marking window

60 x 30 mm / 2.4 x 1.7 inches

110 x 60 mm / 4.3 x 2.4 inches

Weight

11.8 Kg / 26 lb

17 Kg / 37.5 lb

Robotic cable

5 m / 196.8 inches (option 10 m / 393.7 inches and 15 m / 590.5 inches)

Stylus

Carbide or diamond tip 60 mm / 2.36 inches

Air supply

6 bars

6 bars

## OPTIONS



Column



Rotary axis (for light marking)



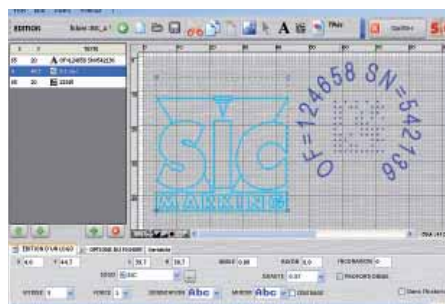
Deep marking



Stylus and guides



Maintenance kit



PC-based software



e8



e8c

- Fully programmable
- Angular and circular marking
- Historical and auto diagnostic functions (maintenance help, configuration and statistics)
- Standalone operation (no PC required)
- Industrial membrane keyboard
- Fully enclosed controller (IP40)
- Large graphical screen

## ELECTRONIC TECHNICAL FEATURES

	e8	e8c
Dimensions (d x l x h)	322 x 413 x 112 mm / 12.7 x 16.2 x 4.4 inches	223 x 413 x 112 mm / 8.8 x 16.2 x 4.4 inches
Weight	5.4 Kg / 11.9 lb	4.9 Kg / 10.8 lb
LCD screen	115 x 65 mm / 4.5 x 2.5 inches	-
Keyboard	Qwerty integrated, membrane overlay	-
Power	300 Watt	
Power supply	Single phase, 85 to 260 VAC, 50 to 60 Hz	
Number of controlled axis	2 (3rd and 4th axis optional)	
Operating temperature	From 5 to 40°C / 40 to 105°F	

### Software

Marking files	Up to 2000
Memory	512 Ko
Alphanumeric characters	Serial number, date coding
Logos	Download from PC
Fonts	Arial, Courier, OCR, OCRA (custom fonts optional)
Style	Angular, radial, inverse, mirror
Speed	Up to 5 characters/sec.
Character size	From 0.1 mm / 0.004 inches to 99 mm / 4 inches (restricted by marking window size)
Impact force	9 adjustable levels
Depth	Up to 0.5 mm / 0.02 inches (depending on material marked)
Resolution between dots	0.05 mm / 0.002 inches
Maximum stylus stroke	Up to 9 mm / 0.35 inches
Work shift management	10 shifts
Password protection	3 security levels
Historical function	Available by password
Maintenance assistance	Auto diagnostic component
Software	15 languages

### Communications

Ports	RS232, RS422, USB (RS485 and TCP/IP Ethernet optional)
Inputs/Outputs	16
External keyboard input	MINI DIN
External output	5 V - 0.5 A and 24 V - 0.5 A
Logos	Logo creation and transfer software
File backup on PC	Controller/PC transfer software
Database link	Optional

## SIC Marking® ACTIVITIES

PERMANENT MARKING



CONVENTIONAL MARKING



DOT PEEN



SCRIBING



LASER

INDUSTRIAL VISION



INDUSTRIAL VISION

TURNKEY SOLUTIONS



TURNKEY SOLUTIONS



SIC Marking® equipment is available worldwide. Contact us to be directed towards a distributor serving your area.



### SIC Marking®

13, route de Limonest  
Zac de la Braille  
69380 Lissieu - France  
Tel.: +33 (0)4 72 54 80 00  
Fax: +33 (0)4 78 47 39 40  
[www.sic-marking.com](http://www.sic-marking.com)  
[info@sic-marking.com](mailto:info@sic-marking.com)

